

WR22 (BJ400) - Waveguide to Coaxial Adapter

Design Features

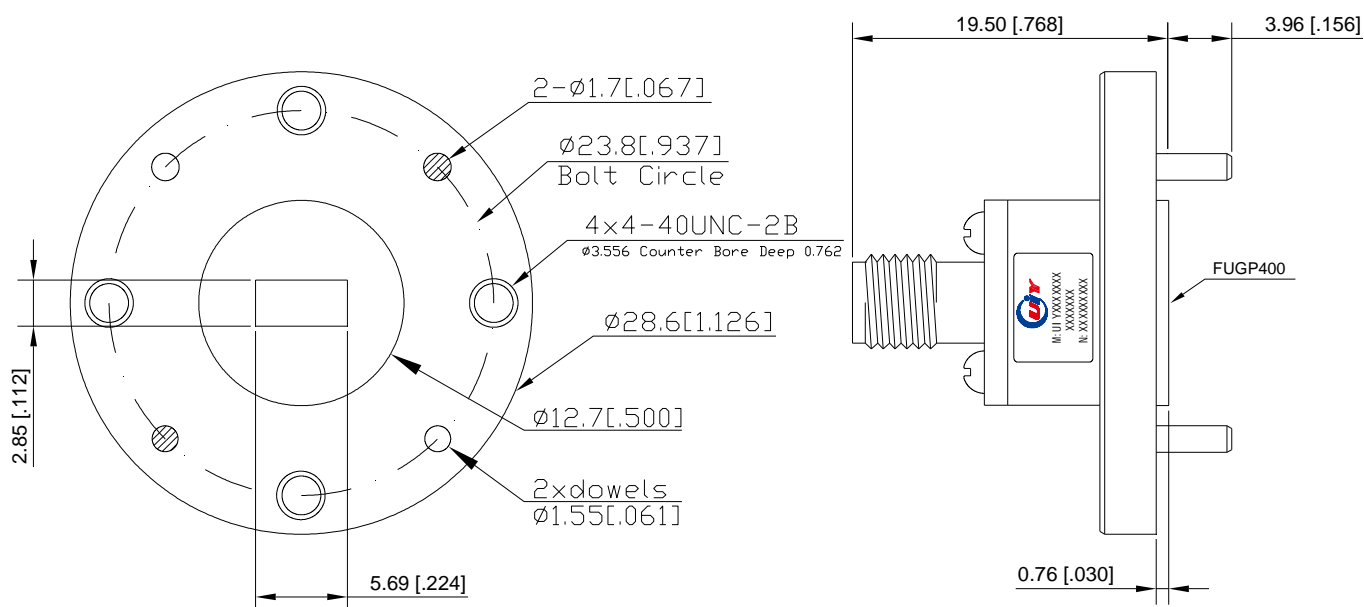
- ◆ High RF performance, ultra-competitive price.
- ◆ Military, space and commercial applications.
- ◆ Custom design available upon request.
- ◆ Guaranteed for one year standard.

RF Characteristics

Model Number	Freq.Range (GHz)	Insertion Loss Max(dB)	VSWR Max	Connector Type (Waveguide)	Connector Type (Coaxial)	CW Power (W)	Peak Power (W)	Temp.(°C)
UIYWTCWR22E33T5024F	33 ~ 50	0.5	1.6	WR22 (BJ400)	2.4mm-F	3	100	-55 ~ +85

- 2 Listed are specific frequency ranges and other ranges are available.
 2 Please provide the below information when inquiring and mark * is required.
 * 1. The specific frequency range
 2. Other special requests (such as Insertion Loss, VSWR, Connector Type, Dimension, etc.)

Mechanical Drawing



Unit: mm/ inch, General part tolerance is $\pm 2\%$ unless otherwise stated.

Ver. 5