

# WR12 (BJ740) – Waveguide to Coaxial Adapter

## Design Features

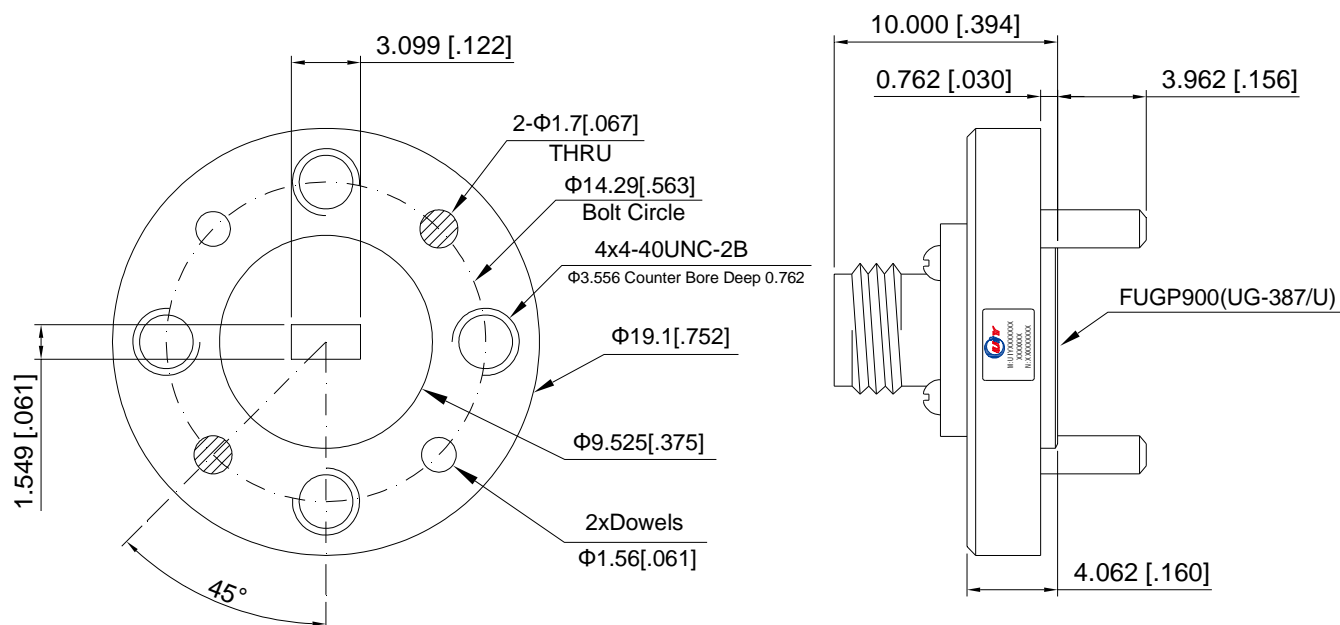
- ◆ High RF performance, ultra-competitive price.
- ◆ Military, space and commercial applications.
- ◆ Custom design available upon request.
- ◆ Guaranteed for one year standard.

## RF Characteristics

Model Number	Freq.Range (GHz)	Insertion Loss Max(dB)	VSWR Max	Connector Type (Waveguide)	Connector Type (Coaxial)	CW Power (W)	Peak Power (W)	Temp.(°C)
UIYWTCWR12E60T901F	60 ~ 90	0.5	1.5	WR12 (BJ740)	1mm-F	3	100	-55 ~ +85

- <sup>2</sup> Listed are specific frequency ranges and other ranges are available.  
<sup>2</sup> Please provide the below information when inquiring and mark \* is required.  
 \* 1. The specific frequency range  
 2. Other special requests (such as Insertion Loss, VSWR, Connector Type, Dimension, etc.)

## Mechanical Drawing



Unit: mm/ inch, General part tolerance is  $\pm 2\%$  unless otherwise stated.

Ver. 5.1