

WR10 (BJ900) - Waveguide to Coaxial Adapter

Design Features

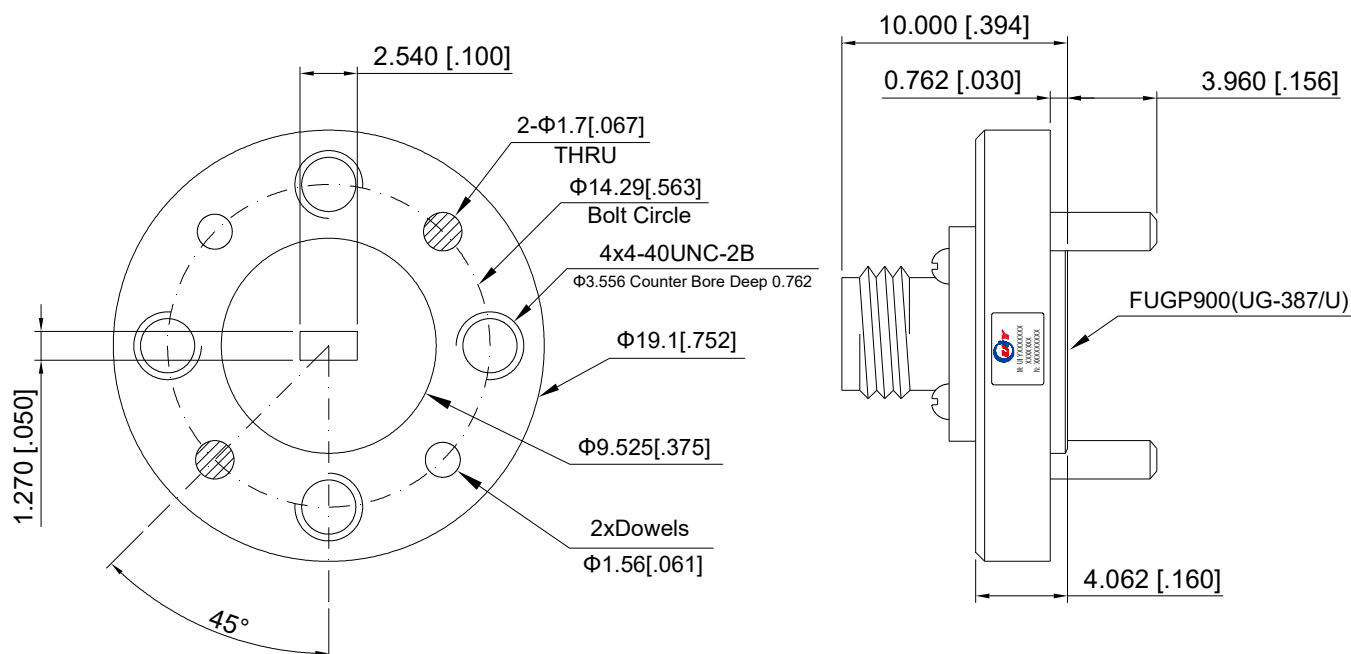
- ◆ High RF performance, ultra-competitive price.
- ◆ Military, space and commercial applications.
- ◆ Custom design available upon request.
- ◆ Guaranteed for one year standard.

RF Characteristics

Model Number	Freq.Range (GHz)	Insertion Loss Max(dB)	VSWR Max	Connector Type (Waveguide)	Connector Type (Coaxial)	CW Power (W)	Peak Power (W)	Temp.(°C)
UIYWTCWR10E738T1121F	73.8 ~ 112	1.5	1.8	WR10 (BJ900)	1mm-F	3	100	-55 ~ +85

- ² Listed are specific frequency ranges and other ranges are available.
² Please provide the below information when inquiring and mark * is required.
 * 1. The specific frequency range
 2. Other special requests (such as Insertion Loss, VSWR, Connector Type, Dimension, etc.)

Mechanical Drawing



Unit: mm/ inch. General part tolerance is $\pm 2\%$ unless otherwise stated.

Ver. 5.1