

47 to 51.5GHz – Waveguide Isolator

Design Features

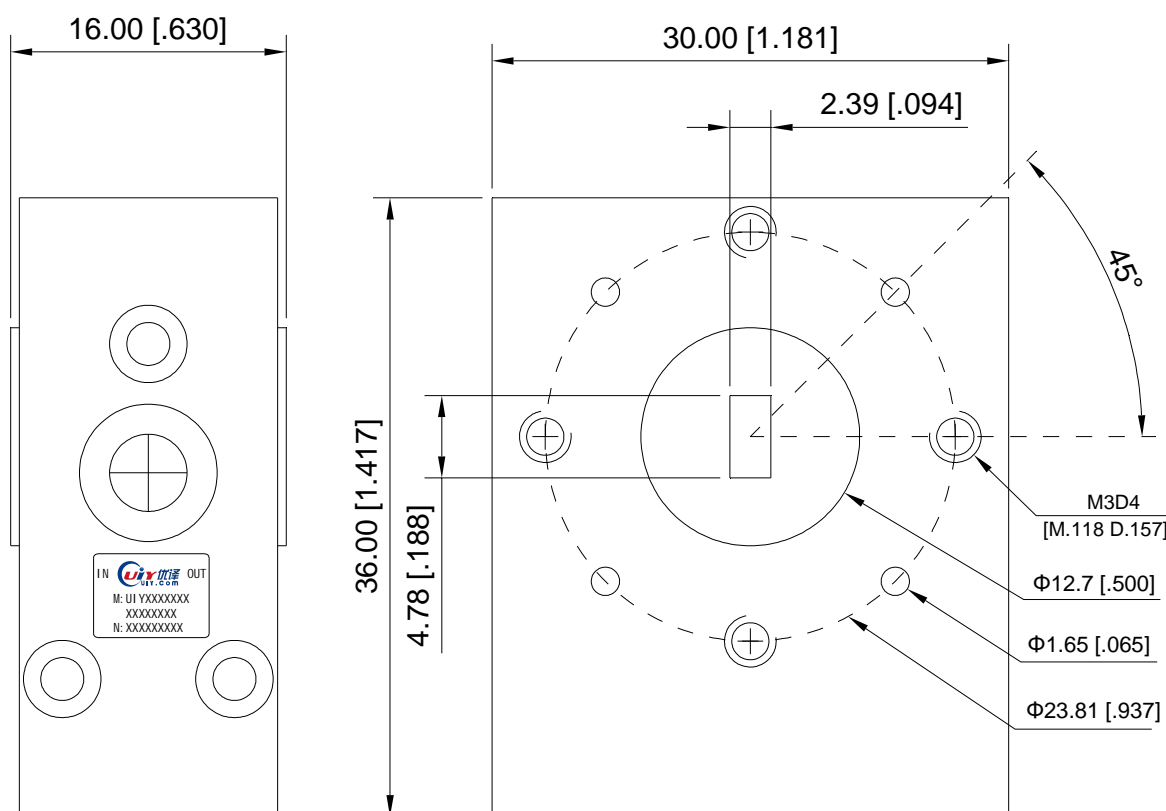
- ◆ High RF performance, ultra-competitive price.
- ◆ Military, space and commercial applications.
- ◆ Custom design available upon request.
- ◆ Support one year standard warranty.

RF Characteristics

Model Number	Freq. Range (GHz)	Insertion Loss Max(dB)	Isolation Min(dB)	VSWR Max	Forward Power(W)	Reverse Power(W)	Connector Type	Temp.(°C)
UIYW11636A47T515	47.0 ~ 51.5	0.4	18	1.3	10	1	WR19(BJ500)	-40 ~ +85

- 2 Listed are specific frequency ranges and tailor-made ranges are available.
- 2 Please provide the information below when inquiring and mark * is required.
- * 1. The specific frequency ranges
 - * 2. Power handling (Forward, Reverse, Peak, etc.)
 - 3. Other special requests (Such as Insertion Loss, Isolation, VSWR, Temperature, Dimension etc.)

Mechanical Drawing



Unit: mm/ inch, General part tolerance is $\pm 2\%$ unless otherwise stated.

Ver. 5