

12 to 18GHz – Waveguide Circulator

Design Features

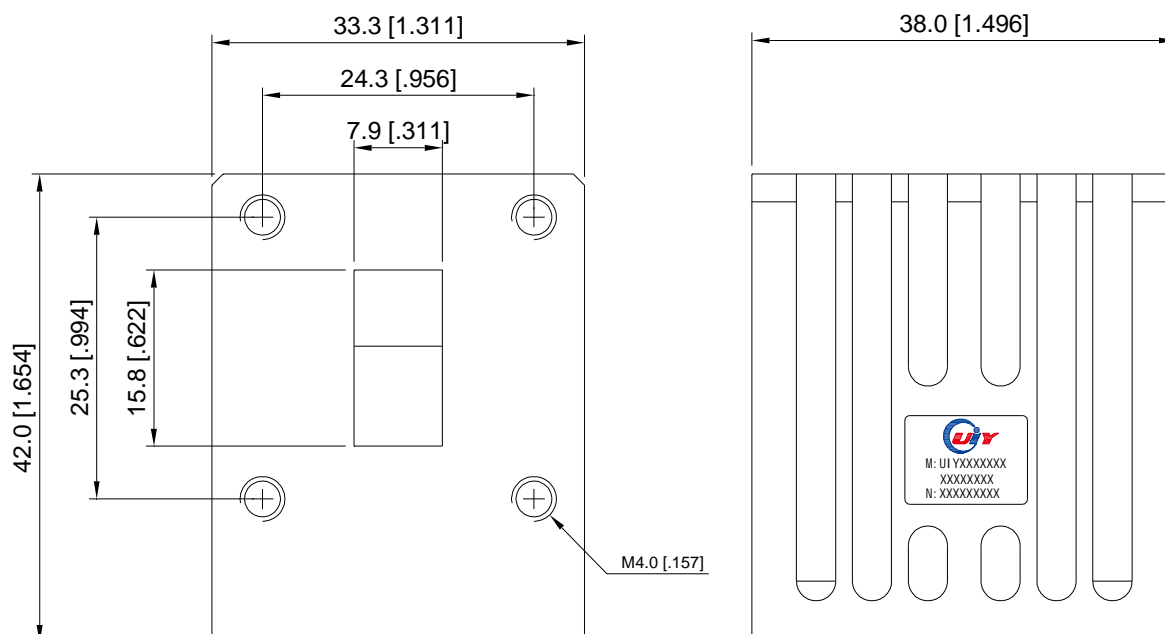
- ◆ High RF performance, ultra-competitive price.
- ◆ Military, space and commercial applications.
- ◆ Custom design available upon request.
- ◆ Guaranteed for one year standard.

RF Characteristics

| Model Number | Freq. Range (GHz) | Insertion Loss Max(dB) | Isolation Min(dB) | VSWR Max | Forward Power(W) | Reverse Power(W) | Connector Type | Temp.(°C) |
|-----------------|-------------------|------------------------|-------------------|----------|------------------|------------------|----------------|-----------|
| UIYWC3842A12T18 | 12.0 ~ 18.0 | 0.4 | 20 | 1.3 | 100 | 100 | WR62(BJ140) | -40 ~ +85 |

- 2 Listed are specific frequency ranges and other ranges are available.
 2 Please provide the below information when inquiring and mark * is required.
- * 1. The specific frequency range
 - * 2. Power handling (Forward, Reverse, Peak, etc.)
 - 3. Other special requests (Such as Insertion Loss, Isolation, VSWR, Temperature, Dimension, etc.)

Mechanical Drawing



Unit: mm/ inch, General part tolerance is $\pm 2\%$ unless otherwise stated.

Ver. 5