

## 18 to 26.5GHz – Waveguide Circulator

### Design Features

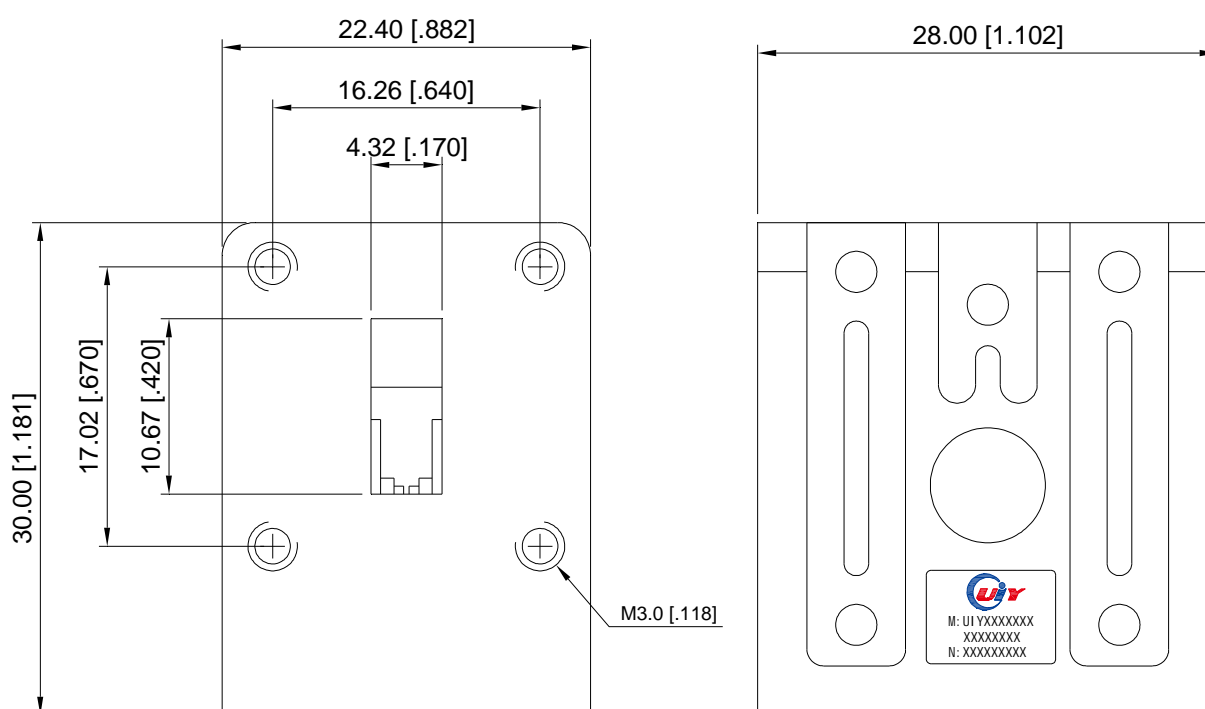
- ◆ High RF performance, ultra-competitive price.
- ◆ Military, space and commercial applications.
- ◆ Custom design available upon request.
- ◆ Guaranteed for one year standard.

### RF Characteristics

Model Number	Freq. Range (GHz)	Insertion Loss Max(dB)	Isolation Min(dB)	VSWR Max	Forward Power(W)	Reverse Power(W)	Connector Type	Temp.(°C)
UIYWC2830A18T265	18.0 ~ 26.5	0.3	20	1.25	100	100	WR42(BJ220)	-40 ~ +85

- 2 Listed are specific frequency ranges and other ranges are available.  
 2 Please provide the below information when inquiring and mark \* is required.
- \* 1. The specific frequency range
  - \* 2. Power handling (Forward, Reverse, Peak, etc.)
  - \* 3. Other special requests (Such as Insertion Loss, Isolation, VSWR, Temperature, Dimension, etc.)

### Mechanical Drawing



Unit: mm/ inch, General part tolerance is  $\pm 2\%$  unless otherwise stated.

Ver. 5