

26.5 to 40GHz – Waveguide Circulator

Design Features

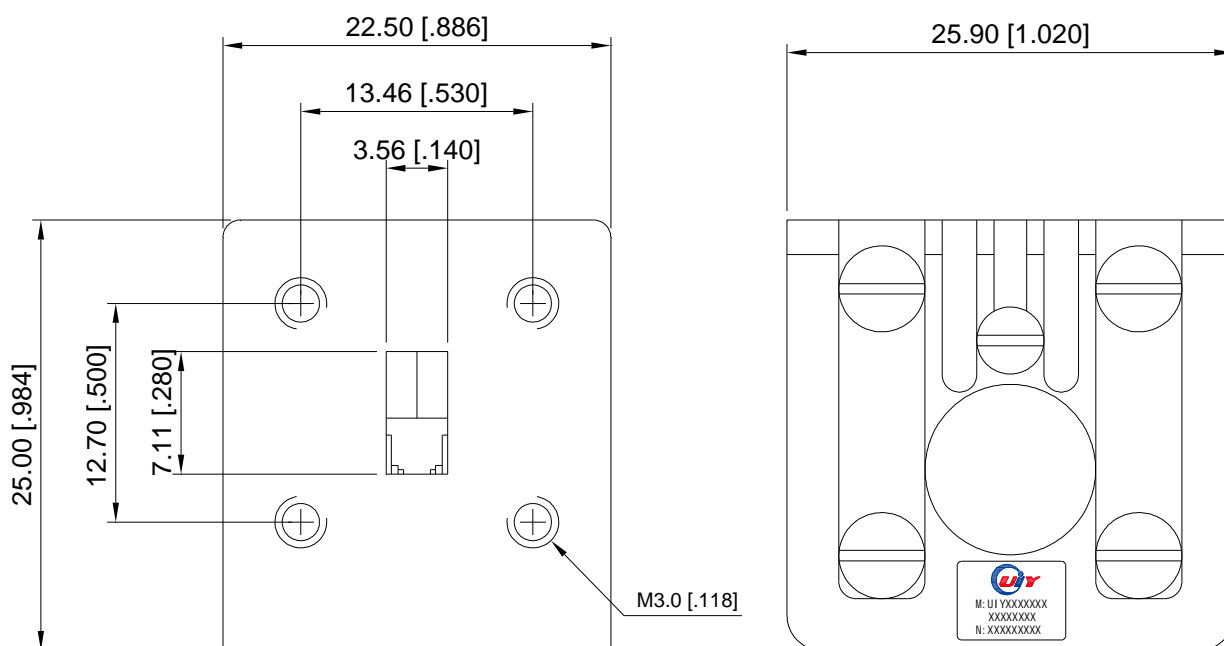
- ◆ High RF performance, ultra-competitive price.
- ◆ Military, space and commercial applications.
- ◆ Custom design available upon request.
- ◆ Guaranteed for one year standard.

RF Characteristics

Model Number	Freq. Range (GHz)	Insertion Loss Max(dB)	Isolation Min(dB)	VSWR Max	Forward Power(W)	Reverse Power(W)	Connector Type	Temp.(°C)
UIYWC2225A265T40	26.5 ~ 40	0.45	16	1.4	25	25	WR28(BJ320)	-40 ~ +85

- 2 Listed are specific frequency ranges and other ranges are available.
 2 Please provide the below information when inquiring and mark * is required.
- * 1. The specific frequency range
 - * 2. Power handling (Forward, Reverse, Peak, etc.)
 - 3. Other special requests (Such as Insertion Loss, Isolation, VSWR, Temperature, Dimension, etc.)

Mechanical Drawing



Unit: mm/ inch, General part tolerance is $\pm 2\%$ unless otherwise stated.

Ver. 5