

## 2.4 to 6GHz – Surface Mount Circulator

### Design Features

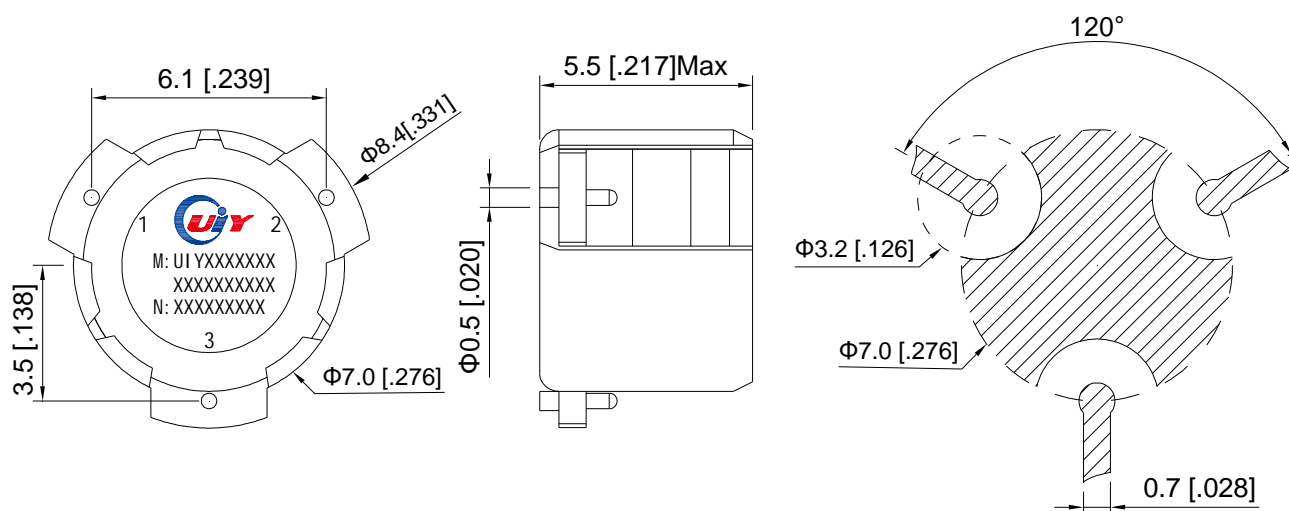
- ◆ High RF performance, ultra-competitive price.
- ◆ Military, space and commercial applications.
- ◆ Custom design available upon request.
- ◆ Support one year standard warranty.

### RF Characteristics

Model Number	Freq. Range (GHz)	Insertion Loss Max(dB)	Isolation Min(dB)	VSWR Max	Average Power(W)	Peak Power(W)	Connector Type	Temp.(°C)
UIYSC7A2496T269	2.496 ~ 2.69	0.35	20	1.22	15	100	SMT	-40 ~ +105
UIYSC7A33T36	3.3 ~ 3.6	0.35	20	1.22	15	100	SMT	-40 ~ +105
UIYSC7A33T38	3.4 ~ 3.6	0.35	20	1.22	15	100	SMT	-40 ~ +105
	3.3 ~ 3.8	0.5	16	1.4				
UIYSC7A48T5	4.8 ~ 5.0	0.35	20	1.22	15	100	SMT	-40 ~ +105
UIYSC7A5T55	5.0 ~ 5.5	0.35	20	1.22	15	100	SMT	-40 ~ +105
UIYSC7A55T6	5.5 ~ 6.0	0.35	20	1.22	15	100	SMT	-40 ~ +105

- <sup>2</sup> Listed are specific frequency ranges and tailor-made ranges are available.  
<sup>2</sup> Please provide the information below when inquiring and mark \* is required.  
 \* 1. The specific frequency ranges  
 \* 2. Power handling (Forward, Reverse, Peak, etc.)  
 \* 3. Other special requests (Insertion Loss, Isolation, VSWR, Temperature, Dimension, etc.)

### Mechanical Drawing



Recommended Land Pattern

Unit: mm/ inch, General part tolerance is ±2% unless otherwise stated.

Ver. 5