

22 to 32GHz – Microstrip Isolator

Design Features

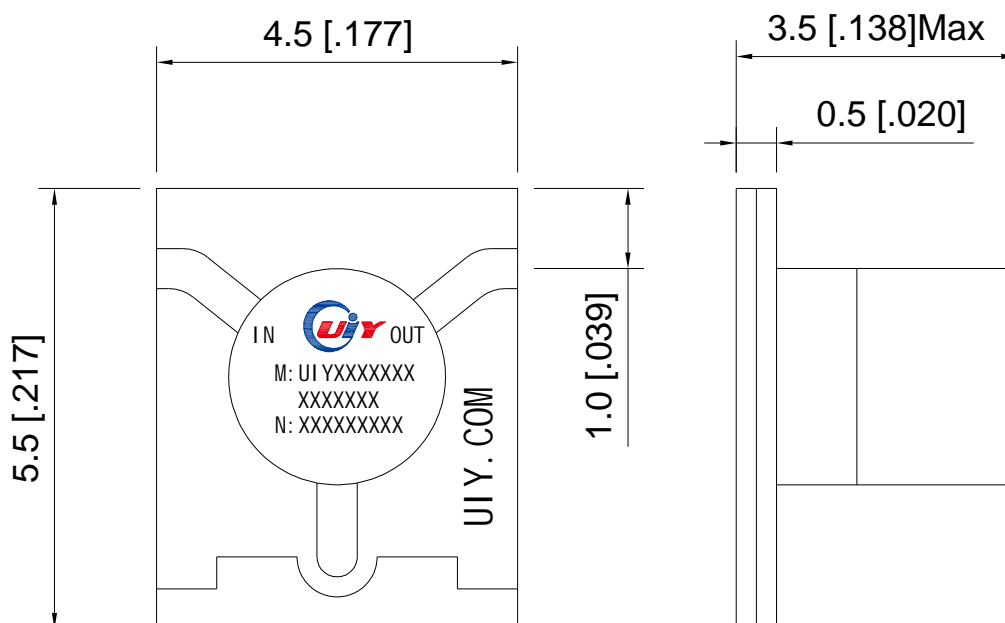
- ◆ Can be dual junction or multiple for high isolation.
- ◆ Custom design available upon request.
- ◆ Military, space and commercial applications.
- ◆ Support one year standard warranty..

RF Characteristics

Model Number	Freq. Range (GHz)	Insertion Loss Max(dB)	Isolation Min(dB)	VSWR Max	Forward Power	Reverse Power	Connector Type	Temp.(°C)
UIYMI45B22T28	22.0 ~ 28.0	0.7	17	1.3	2 W Peak 10W	2 W Peak 10W	Microstrip	-55 ~ +85
UIYMI45B27T31	27.0 ~ 31.0	0.7	17	1.3	2 W Peak 10W	2 W Peak 10W	Microstrip	-55 ~ +85
UIYMI45B28T32	28.0 ~ 32.0	0.7	17	1.3	2 W Peak 10W	2 W Peak 10W	Microstrip	-55 ~ +85

- 2 Listed are specific frequency ranges and tailor-made ranges are available.
 2 Please provide the information below when inquiring and mark * is required.
 * 1. The specific frequency ranges
 * 2. Power handling (Forward, Reverse, Peak, etc.)
 3. Other special requests (Insertion Loss, Isolation, VSWR, Temperature, Dimension, etc.)

Mechanical Drawing



Unit: mm/ inch, General part tolerance is $\pm 2\%$ unless otherwise stated.

Ver. 5.0