

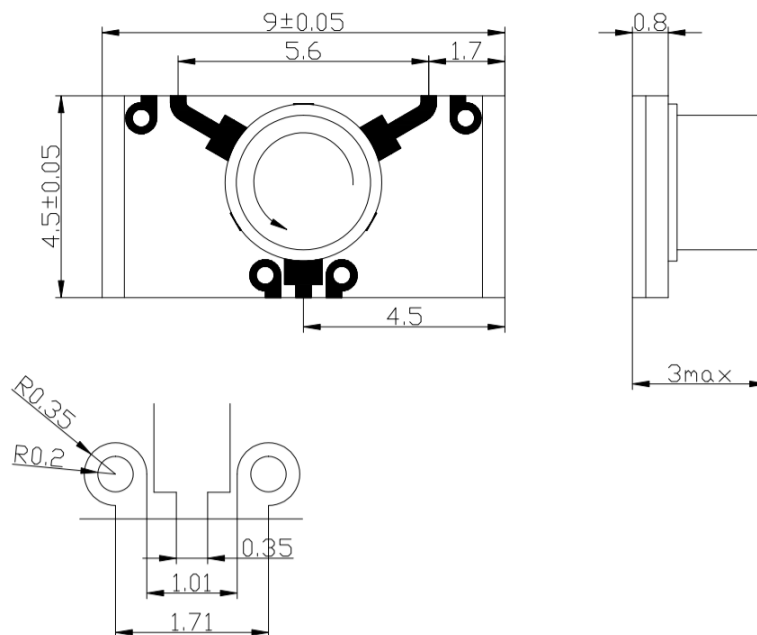
## SPECIFICATION DATASHEET

(Date: 25<sup>th</sup> Jan, 2017)

### Microstrip Circulator

ITEM	SPECIFICATION
Model Number	UIYMC94A12T135
Frequency Range	12.0 ~ 13.5GHz
Insertion Loss	0.5dB Max.
Isolation	20.0dB Min.
VSWR	1.25:1 Max.
Forward Power	15W Max.
Reverse Power	15W Max.
Direction	Clockwise
Impedance	50 Ohms Nominal
Temperature Range	-40~ +85°C
Connector Type	Microstrip

#### Mechanical Drawing



Unit: mm/ inch, General part tolerance is  $\pm 0.2$ mm unless otherwise stated.

Ver. 3