

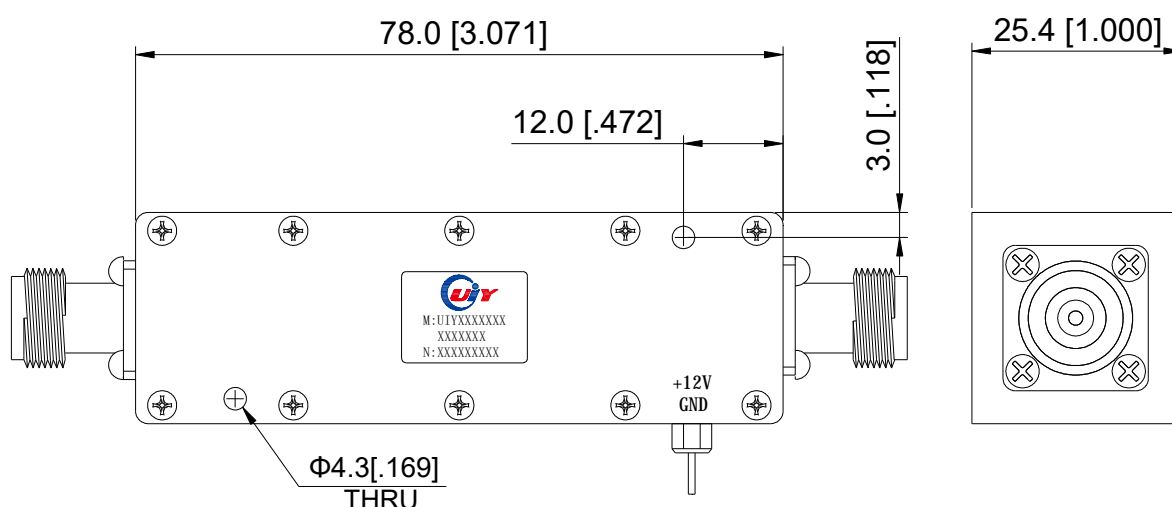
## 136 to 480MHz – Low Noise Amplifier

### UIYLNA7825D136T480NF

RF Characteristics @T=25°C, VDD=+12VDC; 50Ω System					
Parameter	Symbol	Min	Type	Max	Unit
Operating Frequency	BW	136		480	MHz
Power Output CW	Po		0	5	dBm
Power @1dB	P1dB		20		dBm
Output Third Order Intercept Point	3rdOIP		36		dBm
Power Gain @CW	G		19		dB
Input Power	Pin		-10	-5	dBm
Gain Flatness	ΔG		±1.0		dB
Input VSWR	S11		1.5:1		
Odd Harmonics @CW	H	-15	-20		dBc
Even Harmonics @CW	H	-15	-20		dBc
Noise Figure	NF		1.0	1.5	dB
Spurious Signals	Spur		-60		dBc
Operating Voltage	VDC	8	12	15	Volt
Current Consumption@ Po=-10dBm	I <sub>D</sub>		100	150	mA
Operating Temperature	T <sub>c</sub>	-40		+60	°C
Storage Temperature	T <sub>stg</sub>	-55		+70	°C

<sup>2</sup> Listed are specific frequency ranges and other ranges are available.  
<sup>2</sup> Please provide the below information when inquiring and mark \* is required.  
 \* 1. The specific pass band frequency range  
 \* 2. The specific Gain and Power  
 \* 3. Other special requests.

### Mechanical Drawing



Unit: mm/ inch, General part tolerance is ±0.2mm unless otherwise stated.

Ver. 5