

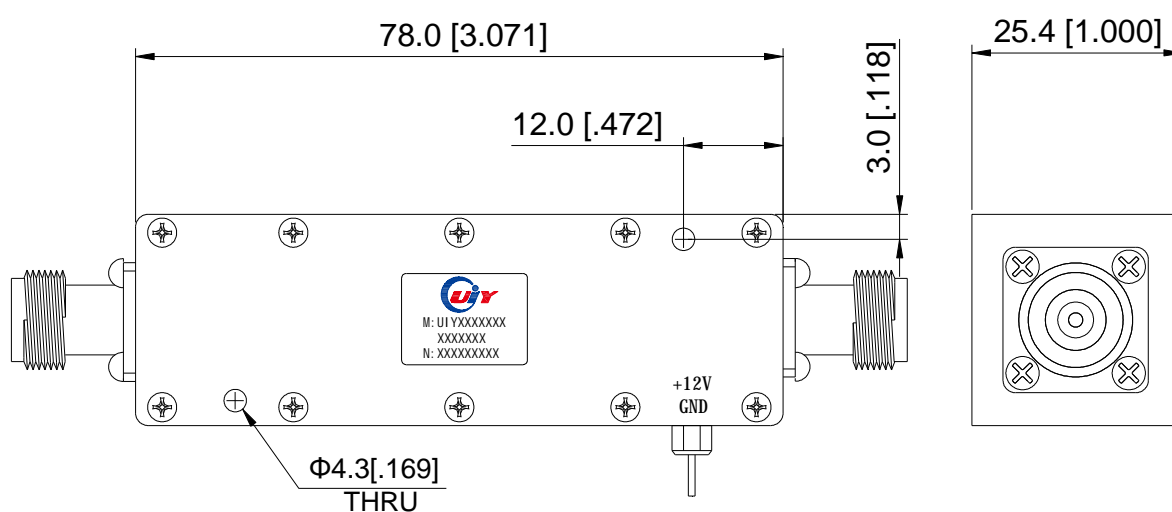
400 to 480MHz – Low Noise Amplifier

UIYLNA7825C400T480NF

RF Characteristics @T=25°C, VDD=+12VDC; 50Ω System					
Parameter	Symbol	Min	Type	Max	Unit
Operating Frequency	BW	400		480	MHz
Power Output CW	Po		0	5	dBm
Power Gain @CW	G		18		dB
Input Power	Pin		-10	-5	dBm
Gain Flatness	ΔG		±1.0	±1.5	dB
Input VSWR	S11		1.5:1		
Odd Harmonics @CW	H	-15	-20		dBc
Even Harmonics @CW	H	-15	-20		dBc
Noise Figure	NF		1.0	1.5	dB
Spurious Signals	Spur		-60		dBc
Operating Voltage	VDC	8	12	15	Volt
Current Consumption@ Po=-5dBm	I _D		100	150	mA
Operating Temperature	T _c	-40		+60	°C
Storage Temperature	T _{stg}	-55		+70	°C

² Listed are specific frequency ranges and other ranges are available.
² Please provide the below informations when inquiring and mark * is required.
 * 1. The specific pass band frequency range
 * 2. The specific Gain and Power
 3. Other special requests.

Mechanical Drawing



Unit: mm/ inch, General part tolerance is ±0.2mm unless otherwise stated.

Ver. 5