

8 to 12GHz – Dual Junction Microstrip Circulator

Magnetic Shield

Design Features

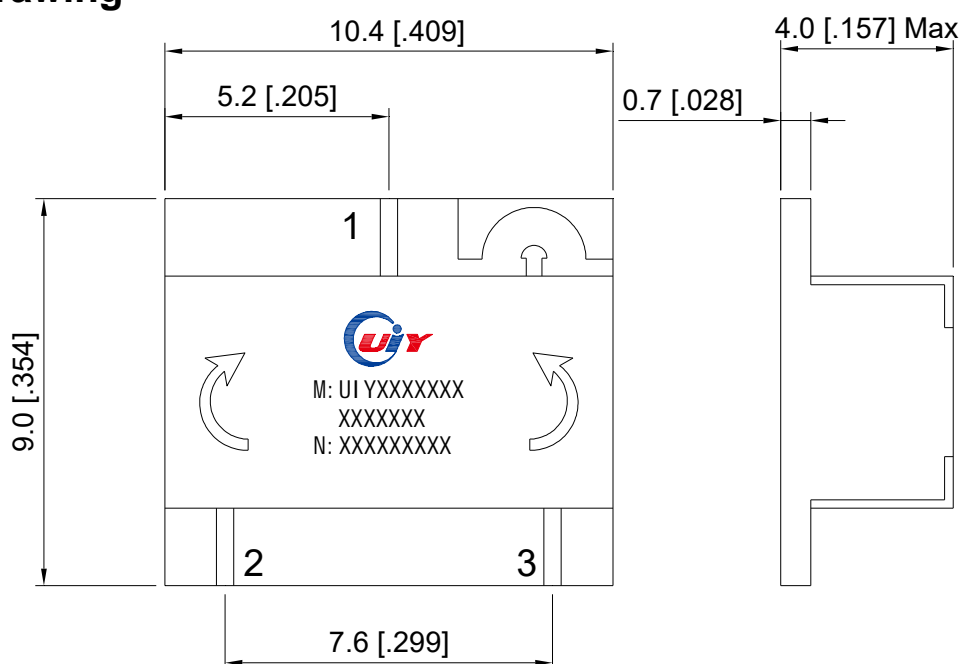
- ◆ Can be dual junction even three for high isolation.
- ◆ High RF performance, ultra-competitive price.
- ◆ Military, space and commercial applications.
- ◆ Custom design available upon request.
- ◆ Guaranteed for one year standard.

RF Characteristics

Model Number	Freq. Range (GHz)	Insertion Loss Max(dB)		Isolation Min(dB)				VSWR Max	Forward Power(W)	Reverse Power(W)	Connector Type	Temp.(°C)
		2-1	1-3	1-2	2-3	3-1	3-2					
UIYDMC109B8T12	8.0 ~ 12.0	0.65	1.0	14	16	28	16	1.35	10	5	Microstrip	-55 ~ +85
UIYDMC109B83T93	8.3 ~ 9.3	0.45	0.85	20	20	30	20	1.25	10	5	Microstrip	-55 ~ +85
UIYDMC109B9T96	9.0 ~ 9.6	0.45	0.85	20	20	30	20	1.25	10	5	Microstrip	-55 ~ +85
UIYDMC109B9T10	9.0 ~ 10.0	0.5	0.9	20	20	30	20	1.25	10	5	Microstrip	-55 ~ +85
UIYDMC109B10T11	10.0 ~ 11.0	0.5	0.9	20	20	30	20	1.25	10	5	Microstrip	-55 ~ +85

- 2 List are specify frequency range and other ranges available.
 2 Please enter below information when inquiry and mark * is must.
 * 1. The specific frequency range
 * 2. Power handling (Forward, Reverse, Peak, etc.)
 3. Other special request if have (Insertion Loss, Isolation, VSWR, Temperature, Dimension, etc.)

Mechanical Drawing



Unit: mm/ inch, General part tolerance is ±2% unless otherwise stated.

Ver. 5