

## 140 to 300MHz – Drop in Isolator

### Design Features

- ◆ Can be dual junction even three for high isolation.
- ◆ Military, space and commercial applications.
- ◆ Guaranteed for one year standard.
- ◆ High RF performance, ultra-competitive price.
- ◆ Custom design available upon request.

### RF Characteristics

Model Number	Freq. Range (MHz)	Insertion Loss Max(dB)	Isolation Min(dB)	VSWR Max	Forward Power(W)	Reverse Power(W)	Connector Type	Temp.(°C)
UIYDI5656A140T142	140 ~ 142	0.8	18	1.3	300	30	TAB	-10 ~ +60
UIYDI5656A145T150	145 ~ 150	0.6	20	1.25	300	30	TAB	-10 ~ +60
UIYDI5656A150T155	150 ~ 155	0.5	20	1.25	300	30	TAB	-10 ~ +70
UIYDI5656A150T170	150 ~ 170	0.7	18	1.3	300	30	TAB	-10 ~ +70
UIYDI5656A168T171	168 ~ 171	0.4	23	1.2	300	30	TAB	-30 ~ +70
UIYDI5656A170T200	170 ~ 200	0.7	18	1.3	300	30	TAB	-30 ~ +70
UIYDI5656A180T220	180 ~ 220	0.6	18	1.3	300	30	TAB	-30 ~ +70
UIYDI5656A192T232	192 ~ 232	0.4	20	1.25	300	30	TAB	-30 ~ +70
UIYDI5656A1975T2075	197.5 ~ 207.5	0.4	23	1.2	300	30	TAB	-30 ~ +70
UIYDI5656A200T250	200 ~ 250	0.6	20	1.25	300	30	TAB	-30 ~ +70
UIYDI5656A230T250	230 ~ 250	0.4	23	1.2	300	30	TAB	-30 ~ +70
UIYDI5656A250T300	250 ~ 300	0.4	20	1.25	300	30	TAB	-30 ~ +70

<sup>2</sup> List are specify frequency range and other ranges available.

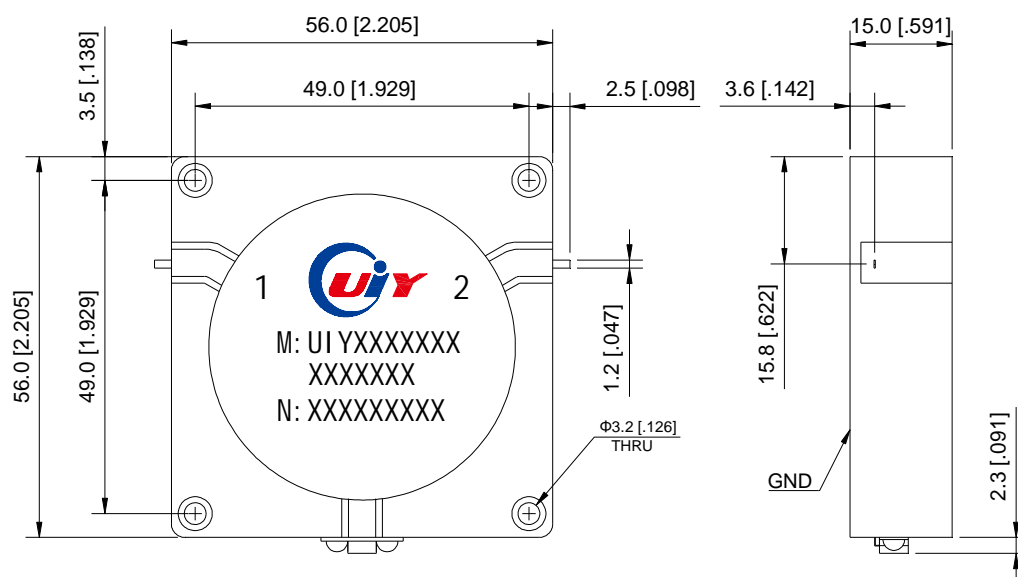
<sup>2</sup> Please enter below information when inquiry and mark \* is must.

\* 1. The specific frequency range

\* 2. Power handling (Forward, Reverse, Peak, etc.)

\* 3. Other special request if have (Insertion Loss, Isolation, VSWR, Temperature, Dimension, etc.)

### Mechanical Drawing



Unit: mm/ inch, General part tolerance is  $\pm 2\%$  unless otherwise stated.

Ver. 5