

# 300 to 1300MHz – Dual Junction Drop in Isolator

## Design Features

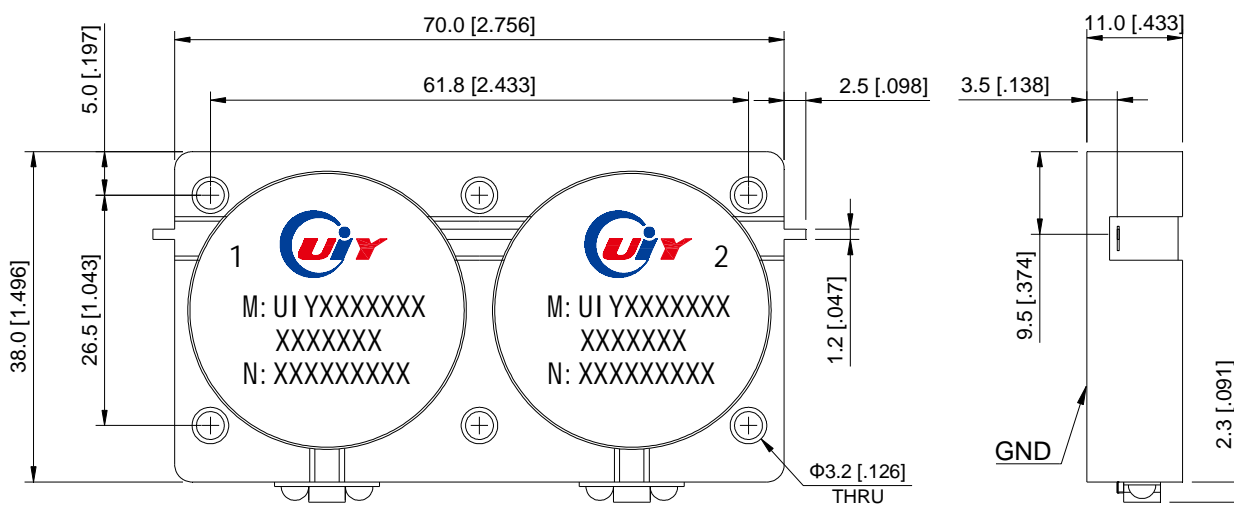
- ◆ Can be dual junction even three for high isolation.
- ◆ High RF performance, ultra-competitive price.
- ◆ Military, space and commercial applications.
- ◆ Custom design available upon request.
- ◆ Guaranteed for one year standard.

## RF Characteristics

Model Number	Freq. Range (MHz)	Insertion Loss Max(dB)	Isolation Min(dB)	VSWR Max	Forward Power(W)	Reverse Power(W)	Connector Type	Temp.(°C)
UIYDDI7038A309T339	309 ~ 339	1.0	40	1.25	300	30	TAB	-20 ~ +65
UIYDDI7038A350T370	350 ~ 370	0.6	45	1.2	300	30	TAB	-20 ~ +65
UIYDDI7038A390T410	390 ~ 410	0.6	45	1.2	300	30	TAB	-30 ~ +70
UIYDDI7038A400T470	400 ~ 470	1.0	40	1.25	300	30	TAB	-30 ~ +70
UIYDDI7038A440T470	440 ~ 470	0.6	45	1.2	300	30	TAB	-30 ~ +70
UIYDDI7038A470T570	470 ~ 570	0.7	38	1.25	300	30	TAB	-20 ~ +65
UIYDDI7038A570T670	570 ~ 670	0.8	40	1.25	300	30	TAB	-20 ~ +65
UIYDDI7038A670T770	670 ~ 770	0.8	40	1.25	300	30	TAB	-20 ~ +65
UIYDDI7038A770T860	770 ~ 860	0.7	45	1.2	300	30	TAB	-20 ~ +65
UIYDDI7038A600T800	600 ~ 800	1.0	36	1.3	300	30	TAB	-30 ~ +70

- <sup>2</sup> List are specify frequency range and other ranges available.  
<sup>2</sup> Please enter below information when inquiry and mark \* is must.  
 \* 1. The specific frequency range  
 \* 2. Power handling (Forward, Reverse, Peak, etc.)  
 3. Other special request if have (Insertion Loss, Isolation, VSWR, Temperature, Dimension, etc.)

## Mechanical Drawing



Unit: mm/ inch, General part tolerance is  $\pm 0.2$ mm unless otherwise stated.

Ver. 5

3/F, No 9, Xiangyin Rd, Longgang District, Shenzhen 518116, China.

Web: [www.uiy.com](http://www.uiy.com)

Tel: +86-755-25999990 +86-755-25999909

Fax: +86-755-25999959

E-mail: [sales@uiy.com](mailto:sales@uiy.com)