

3.5 to 7.0GHz – 4 Port Dual Junction Drop in Circulator

Design Features

- ◆ Can be dual junction even three for high isolation.
- ◆ High RF performance, ultra-competitive price.
- ◆ Military, space and commercial applications.
- ◆ Custom design available upon request.
- ◆ Guaranteed for one year standard.

RF Characteristics

Model Number	Freq. Range (GHz)	Insertion Loss (1-2 & 3-4) Max(dB)	Isolation (2-1 & 4-3) Min(dB)	VSWR Max	Forward Power (W)	Reverse Power (W)	Connector Type	Temp.(°C)
UIYDDC3928A4P42T47	4.2 ~ 4.7	0.7	40	1.25	30	30	TAB	-40 ~ +85
UIYDDC3928A4P44T5	4.4 ~ 5.0	0.8	40	1.25	30	30	TAB	-40 ~ +85
UIYDDC3928A4P49T51	4.9 ~ 5.1	0.7	45	1.2	30	30	TAB	-40 ~ +85
UIYDDC3928A4P5T55	5.0 ~ 5.5	0.8	40	1.25	30	30	TAB	-40 ~ +85
UIYDDC3928A4P54T59	5.4 ~ 5.9	0.8	45	1.2	30	30	TAB	-40 ~ +85
UIYDDC3928A4P56T6	5.6 ~ 6.0	0.6	45	1.2	30	30	TAB	-40 ~ +85
UIYDDC3928A4P57T65	5.7 ~ 6.5	1.0	40	1.25	30	30	TAB	-40 ~ +85
UIYDDC3928A4P6T7	6.0 ~ 7.0	0.8	40	1.25	30	30	TAB	-40 ~ +85

2 List are specify frequency range and other ranges available.

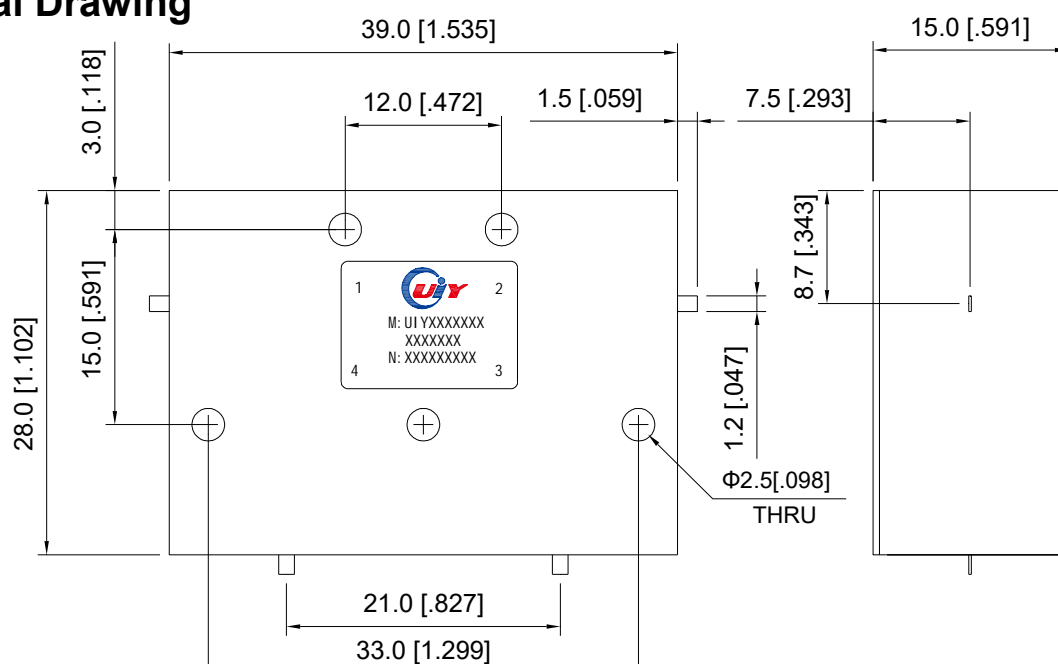
2 Please enter below information when inquiry and mark * is must.

* 1. The specific frequency range

* 2. Power handling (Forward, Reverse, Peak, etc.)

* 3. Other special request if have (Insertion Loss, Isolation, VSWR, Temperature, Dimension, etc.)

Mechanical Drawing



Unit: mm/ inch, General part tolerance is $\pm 2\%$ unless otherwise stated.

Ver. 5