

0.6 to 5.0GHz – Dual Junction Drop in Circulator

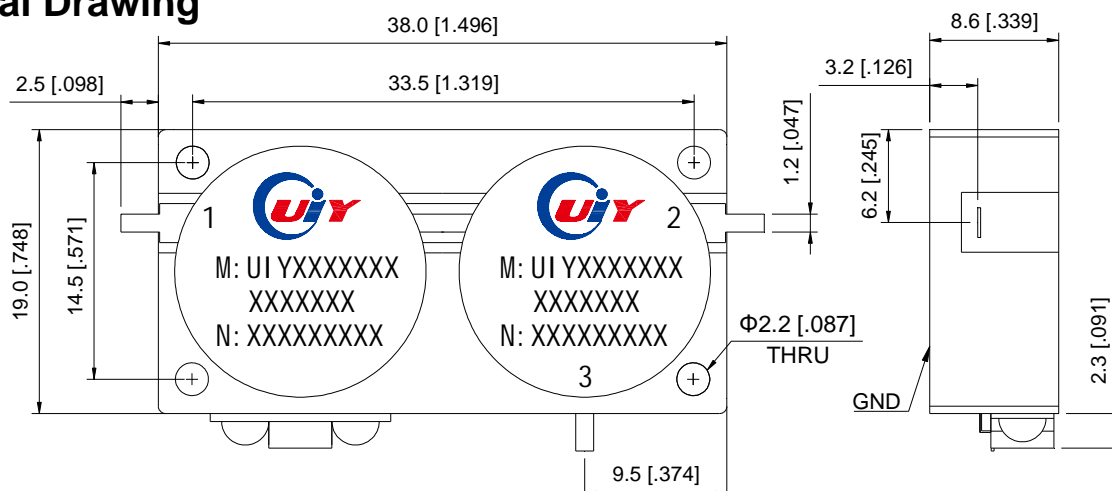
Design Features

- ◆ Can be Dual Junction or Multiple for high isolation.
- ◆ Custom design available upon request.
- ◆ Military, space and commercial applications.
- ◆ Support one year standard warranty.

RF Characteristics

Model Number	Freq. Range (MHz)	Insertion Loss (1-2) Max(dB)	Isolation (2-1) Min(dB)	VSWR Max	Forward Power(W)	Reverse Power(W)	Connector Type	Temp.(°C)
UIYDDC3819A617T698	617 ~ 698	0.8	40	1.25	100	100	TAB	-40 ~ +85
UIYDDC3819A703T803	703 ~ 803	1.0	36	1.3	100	100	TAB	-40 ~ +85
UIYDDC3819A824T894	824 ~ 894	0.8	40	1.25	100	100	TAB	-40 ~ +85
UIYDDC3819A860T960	860 ~ 960	0.8	40	1.25	100	100	TAB	-40 ~ +85
UIYDDC3819A925T960	925 ~ 960	0.6	46	1.2	100	100	TAB	-40 ~ +85
UIYDDC3819A1070T1210	1070 ~ 1210	0.8	40	1.25	100	100	TAB	-40 ~ +85
UIYDDC3819A1200T1400	1200 ~ 1400	0.6	44	1.2	100	100	TAB	-40 ~ +85
UIYDDC3819A1250T1450	1250 ~ 1450	0.5	46	1.2	100	100	TAB	-40 ~ +85
UIYDDC3819A1450T1550	1450 ~ 1550	0.6	46	1.2	100	100	TAB	-40 ~ +85
UIYDDC3819A1500T1700	1500 ~ 1700	0.6	46	1.2	100	100	TAB	-40 ~ +85
UIYDDC3819A1710T2170	1710 ~ 2170	1.2	32	1.4	100	100	TAB	-40 ~ +85
UIYDDC3819A1805T1880	1805 ~ 1880	0.5	50	1.15	100	100	TAB	-40 ~ +85
UIYDDC3819A1920T1990	1920 ~ 1990	0.5	50	1.15	100	100	TAB	-40 ~ +85
UIYDDC3819A2000T2400	2000 ~ 2400	0.8	40	1.25	100	100	TAB	-40 ~ +85
UIYDDC3819A2110T2170	2110 ~ 2170	0.5	50	1.15	100	100	TAB	-40 ~ +85
UIYDDC3819A2300T2500	2300 ~ 2500	0.6	46	1.2	100	100	TAB	-40 ~ +85
UIYDDC3819A2400T2600	2400 ~ 2600	0.6	46	1.2	100	100	TAB	-40 ~ +85
UIYDDC3819A2496T2690	2496 ~ 2690	0.6	46	1.2	100	100	TAB	-40 ~ +85
UIYDDC3819A2500T2700	2500 ~ 2700	0.6	46	1.2	100	100	TAB	-40 ~ +85
UIYDDC3819A2700T3100	2700 ~ 3100	0.6	46	1.2	100	100	TAB	-40 ~ +85
UIYDDC3819A2700T3500	2700 ~ 3500	1.0	36	1.3	100	100	TAB	-40 ~ +85
UIYDDC3819A3150T3250	3150 ~ 3250	0.5	50	1.15	100	100	TAB	-40 ~ +85
UIYDDC3819A3300T3600	3300 ~ 3600	0.6	46	1.2	100	100	TAB	-40 ~ +85
UIYDDC3819A3500T4500	3500 ~ 4500	1.0	36	1.3	100	100	TAB	-40 ~ +85
UIYDDC3819A3600T3800	3600 ~ 3800	0.6	46	1.2	100	100	TAB	-40 ~ +85
UIYDDC3819A3900T4200	3900 ~ 4200	0.6	46	1.2	100	100	TAB	-40 ~ +85
UIYDDC3819A3900T4500	3900 ~ 4500	0.8	40	1.25	100	100	TAB	-40 ~ +85
UIYDDC3819A4400T4500	4000 ~ 4500	0.7	40	1.2	100	100	TAB	-40 ~ +85
UIYDDC3819A4200T4700	4200 ~ 4700	0.7	40	1.25	100	100	TAB	-40 ~ +85
UIYDDC3819A4400T5000	4400 ~ 5000	0.8	40	1.25	100	100	TAB	-40 ~ +85

Mechanical Drawing



Unit: mm/ inch, General part tolerance is $\pm 2\%$ unless otherwise stated.

Ver. 5.3