

# 1 to 4GHz – Directional Coupler

## Design Features

- ◆ High RF performance, ultra-competitive price.
- ◆ Military, space and commercial applications.
- ◆ Custom design available upon request.
- ◆ Support one year standard warranty.

## RF Characteristics

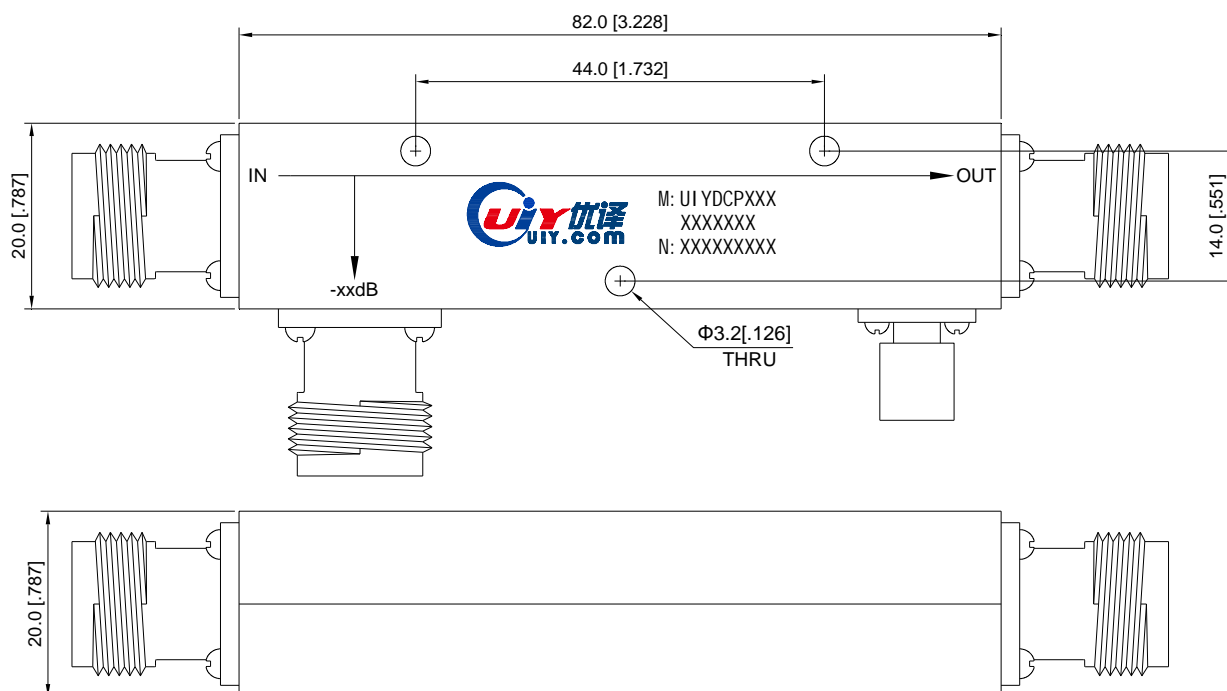
Model No.	Freq.Range (GHz)	Nominal Coupling(dB)	Flatness (dB)	IL. (dB)	Directivity (dB)	VSWR	Power (W)	Connector Type	Temp. (°C)
UIYDCP8220A1T4C6NF	1.0~4.0	6±1	±0.7	2.0	18	1.3	50	N-F	-55~+85
UIYDCP8220A1T4C10NF	1.0~4.0	10±1	±0.7	1.0	18	1.3	50	N-F	-55~+85
UIYDCP8220A1T4C20NF	1.0~4.0	20±1	±0.9	0.5	18	1.3	50	N-F	-55~+85
UIYDCP8220A1T4C30NF	1.0~4.0	30±1	±0.9	0.5	18	1.3	50	N-F	-55~+85

<sup>2</sup> Listed are specific frequency ranges and tailor-made ranges are available.

<sup>2</sup> Please provide the information below when inquiring and mark \* is required.

- \* 1. The specific frequency ranges
- \* 2. Power handling (Forward, Reverse, Peak, etc.)
- \* 3. Connect type (SMA Male/ Female, N Male/ Female, etc.)
- \* 4. Other special requests (Insertion Loss, Isolation, VSWR, Temperature, Dimension, etc.)

## Mechanical Drawing



Unit: mm/ inch, General part tolerance is ±2% unless otherwise stated.

Ver. 5