

136 to 174MHz – Directional Coupler

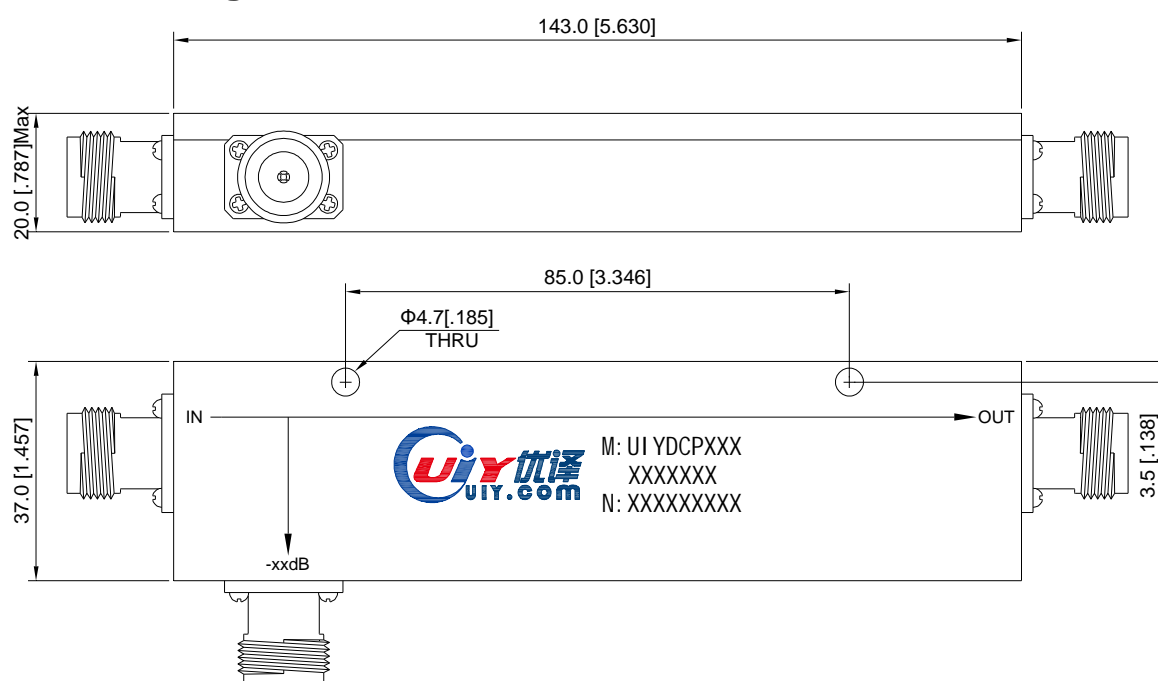
Design Features

- ◆ High RF performance, ultra-competitive price.
- ◆ Military, space and commercial applications.
- ◆ Custom design available upon request.
- ◆ Support one year standard warranty.

RF Characteristics

Model No.	Freq. Range (MHz)	Nominal Coupling (dB)	IL (dB)	Directivity (dB)	VSWR	Power (W)	Connector Type	Temp. (°C)
UIYDCP14337B136T174C5NF	136 ~ 174	5±0.8	2.2	20	1.25	200	N-F	-20~+70
UIYDCP14337B136T174C6NF	136 ~ 174	6±0.8	1.7	20	1.25	200	N-F	-20~+70
UIYDCP14337B136T174C7NF	136 ~ 174	7±0.8	1.4	20	1.25	200	N-F	-20~+70
UIYDCP14337B136T174C8NF	136 ~ 174	8±0.8	1.1	20	1.25	200	N-F	-20~+70
UIYDCP14337B136T174C10NF	136 ~ 174	10±1.0	0.8	20	1.25	200	N-F	-20~+70
UIYDCP14337B136T174C13NF	136 ~ 174	13±1.0	0.5	20	1.25	200	N-F	-20~+70
UIYDCP14337B136T174C15NF	136 ~ 174	15±1.2	0.4	20	1.25	200	N-F	-20~+70
UIYDCP14337B136T174C20NF	136 ~ 174	20±1.2	0.22	20	1.25	200	N-F	-20~+70
UIYDCP14337B136T174C30NF	136 ~ 174	30±1.5	0.2	20	1.25	200	N-F	-20~+70
UIYDCP14337B136T174C40NF	136 ~ 174	40±1.5	0.2	20	1.25	200	N-F	-20~+70

Mechanical Drawing



Unit: mm/ inch, General part tolerance is ±2% unless otherwise stated.

Ver. 5.1