

## 5 to 25GHz – Drop in Circulator

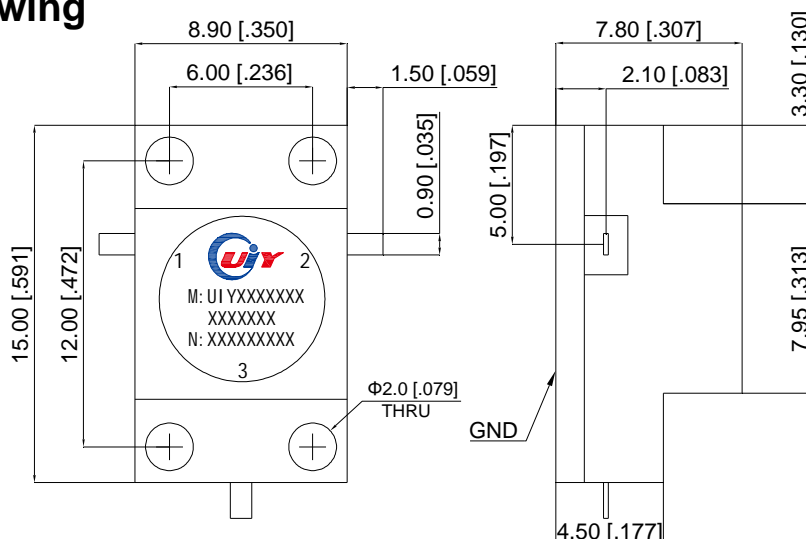
### Design Features

- ◆ Can be dual junction or multiple for high isolation.
- ◆ Military, space and commercial applications.
- ◆ High RF performance, ultra-competitive price.
- ◆ Support one year standard warranty.

### RF Characteristics

Model Number	Freq. Range (GHz)	Insertion Loss Max(dB)	Isolation Min(dB)	VSWR Max	Forward Power(W)	Reverse Power(W)	Connector Type	Temp.(°C)
UIYDC815A5T55	5.0 ~ 5.5	0.5	18	1.3	65	65	TAB	-40 ~ +85
UIYDC815A54T58	5.4 ~ 5.8	0.5	18	1.3	65	65	TAB	-40 ~ +85
UIYDC815A57T59	5.7 ~ 5.9	0.35	20	1.25	65	65	TAB	-40 ~ +85
UIYDC815A58T62	5.8 ~ 6.2	0.5	20	1.25	30	30	TAB	-40 ~ +85
UIYDC815A6T8	6.0 ~ 8.0	0.6	18	1.3	30	30	TAB	-40 ~ +85
UIYDC815A7T9	7.0 ~ 9.0	0.5	18	1.3	30	30	TAB	-40 ~ +85
UIYDC815A71T95	7.1 ~ 9.5	0.6	18	1.3	30	30	TAB	-55 ~ +85
UIYDC815A79T84	7.9 ~ 8.4	0.3	23	1.2	30	30	TAB	-55 ~ +85
UIYDC815A8T12	8.0 ~ 12.0	0.5	18	1.3	30	30	TAB	-55 ~ +85
UIYDC815A85T95	8.5 ~ 9.5	0.3	23	1.2	30	30	TAB	-55 ~ +85
UIYDC815A9T10	9.0 ~ 10.0	0.3	23	1.2	30	30	TAB	-55 ~ +85
UIYDC815A10T11	10.0 ~ 11.0	0.3	23	1.2	30	30	TAB	-55 ~ +85
UIYDC815A10T13	10.0 ~ 13.0	0.5	20	1.25	30	30	TAB	-55 ~ +85
UIYDC815A10T15	10.0 ~ 15.0	0.5	18	1.35	30	30	TAB	-55 ~ +85
UIYDC815A115T185	11.5 ~ 18.5	0.7	16	1.45	30	30	TAB	-55 ~ +85
UIYDC815A12T18	12.0 ~ 18.0	0.6	18	1.35	30	30	TAB	-55 ~ +85
UIYDC815A1375T145	13.75 ~ 14.5	0.3	23	1.2	30	30	TAB	-55 ~ +85
UIYDC815A138T178	13.8 ~ 17.8	0.5	18	1.3	30	30	TAB	-55 ~ +85
UIYDC815A155T165	15.5 ~ 16.5	0.5	20	1.25	30	30	TAB	-55 ~ +85
UIYDC815A16T18	16.0 ~ 18.0	0.6	20	1.25	30	30	TAB	-55 ~ +85
UIYDC815A18T20	18.0 ~ 20.0	0.6	20	1.25	30	30	TAB	-55 ~ +85
UIYDC815A192T212	19.2 ~ 21.2	0.6	18	1.3	30	30	TAB	-55 ~ +85
UIYDC815A21T23	21.0 ~ 23.0	0.6	18	1.3	30	30	TAB	-55 ~ +85

### Mechanical Drawing



Unit: mm/ inch, General part tolerance is  $\pm 2\%$  unless otherwise stated.

Ver. 5.2