

## 60 to 200MHz – Drop in Circulator

### Design Features

- ◆ Can be dual junction or multiple for high isolation.
- ◆ Military, space and commercial applications.
- ◆ Support one year standard warranty.
- ◆ High RF performance, ultra-competitive price.
- ◆ Custom design available upon request.

### RF Characteristics

Model Number	Freq. Range (MHz)	Insertion Loss Max(dB)	Isolation Min(dB)	VSWR Max	Forward Power(W)	Reverse Power(W)	Connector Type	Temp.(°C)
UIYDC8080B62T65	62 ~ 65	1.5	16	1.4	500	500	TAB	0 ~ +70
UIYDC8080B70T75	70 ~ 75	1.2	18	1.3	500	500	TAB	0 ~ +70
UIYDC8080B75T80	75 ~ 80	0.9	18	1.3	500	500	TAB	0 ~ +70
UIYDC8080B8125	81.25	0.6	20	1.25	500	500	TAB	0 ~ +70
UIYDC8080B80T90	80 ~ 90	0.8	18	1.3	500	500	TAB	0 ~ +70
UIYDC8080B85T95	85 ~ 95	0.7	18	1.3	500	500	TAB	0 ~ +70
UIYDC8080B108T118	108 ~ 118	0.5	18	1.3	500	500	TAB	0 ~ +70
UIYDC8080B118T137	118 ~ 137	0.5	18	1.3	500	500	TAB	0 ~ +70
UIYDC8080B130T150	130 ~ 150	0.5	20	1.25	500	500	TAB	0 ~ +70
UIYDC8080B148T174	148 ~ 174	0.5	20	1.25	500	500	TAB	0 ~ +70
UIYDC8080B1625	162.5	0.2	25	1.15	500	500	TAB	0 ~ +70

<sup>2</sup> Listed are specific frequency ranges and tailor-made ranges are available.

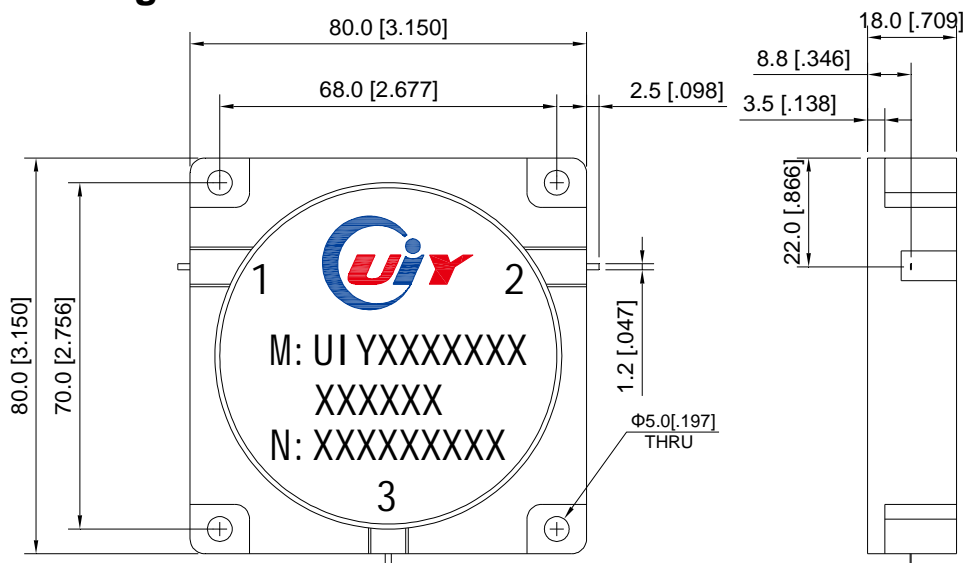
<sup>2</sup> Please provide the information below when inquiring and mark \* is required.

\* 1. The specific frequency ranges

\* 2. Power handling (Forward, Reverse, Peak, etc.)

3. Other special requests (Insertion Loss, Isolation, VSWR, Temperature, Dimension etc.)

### Mechanical Drawing



Unit: mm/ inch, General part tolerance is  $\pm 2\%$  unless otherwise stated.

Ver. 5.1