

## 50W 18GHz – Coaxial Termination

### Design Features

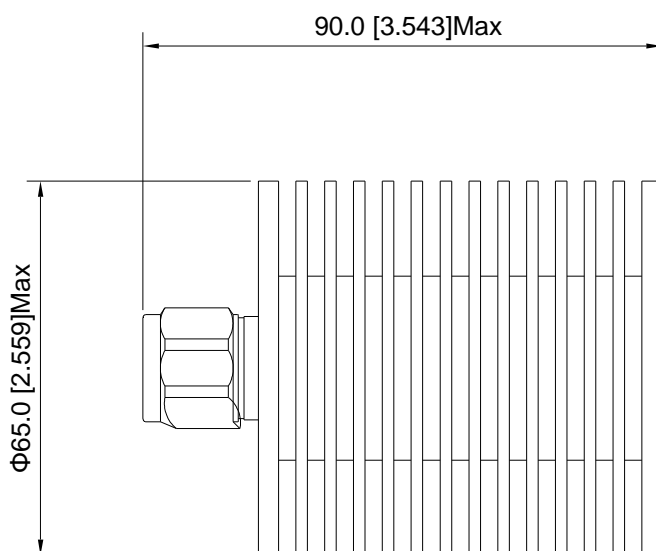
- ◆ High RF performance, ultra-competitive price.
- ◆ Custom design available upon request.
- ◆ Military, space and commercial applications.
- ◆ Support one year standard warranty.

### RF Characteristics

Model Number	Freq. Range	VSWR Max	Power	Connector Type	Impedance
UIYCT50AN124	DC-12.4GHz	1.3	50W	N Male	50 Ω
UIYCT50ANF124	DC-12.4GHz	1.3	50W	N Female	50 Ω
UIYCT50AN18	DC-18GHz	1.35	50W	N Male	50 Ω
UIYCT50ANF18	DC-18GHz	1.35	50W	N Female	50 Ω

- <sup>2</sup> Listed are specific frequency ranges and tailor-made ranges available.  
<sup>2</sup> Please provide the information below when inquiring and mark \* is required.
- \* 1. Power handling
  - 2. Connect type (SMA Male/ Female, N Male/ Female, etc.)
  - 3. Other special requests (VSWR, Temperature, Dimension, etc.)

### Mechanical Drawing



Unit: mm/ inch, General part tolerance is  $\pm 2\%$  unless otherwise stated.

Ver. 5.3

No. 8, Lane 1, Xintun East Zone, Longgang District, Shenzhen 518172, China.

Web: [www.uiy.com](http://www.uiy.com)

Tel: +86-755-83748888 +86-755-25999990

Fax: +86-755-25999959

E-mail: [sales@uiy.com](mailto:sales@uiy.com)