

30W – Coaxial Termination

Design Features

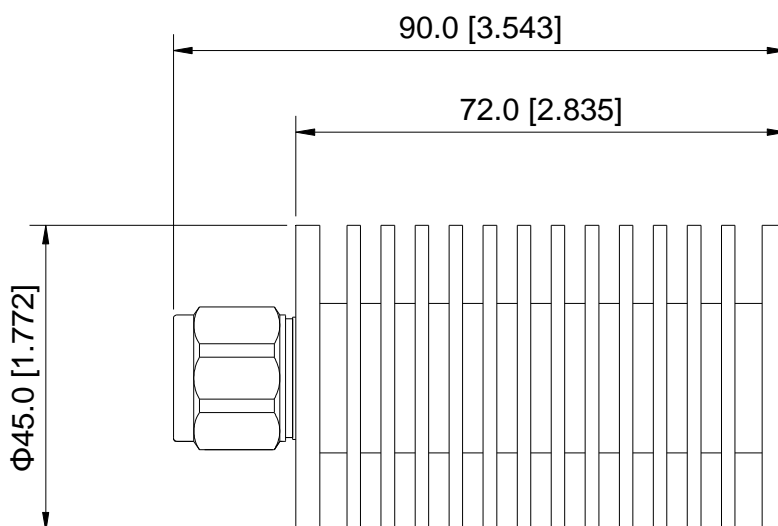
- ◆ High RF performance, ultra-competitive price.
- ◆ Military, space and commercial applications.
- ◆ Custom design available upon request.
- ◆ Guaranteed for one year standard.

RF Characteristics

Model Number	Freq. Range	Power	VSWR Max	Connector Type	Impedance
UIYCT30AN3	DC-3GHz	30W	1.15	N Male	50 Ω
UIYCT30ANF3	DC-3GHz	30W	1.15	N Female	50 Ω
UIYCT30AN6	DC-6GHz	30W	1.25	N Male	50 Ω
UIYCT30ANF6	DC-6GHz	30W	1.25	N Female	50 Ω

- ² List are specify frequency range and other ranges available.
² Please enter below information when inquiry and mark * is must.
 * 1. Power handling, Attenuation Value
 2. Connect type (SMA Male/ Female, N Male/ Female, etc.)
 3. Other special request if have (VSWR, Temperature, Dimension, etc.)

Mechanical Drawing



Unit: mm/ inch, General part tolerance is $\pm 2\%$ unless otherwise stated.

Ver. 5.1

No. 8, Lane 1, Xintun East Zone, Longgang District, Shenzhen 518172, China.

Web: www.uiy.com

Tel: +86-755-83748888 +86-755-25999990

Fax: +86-755-25999959

E-mail: sales@uiy.com