

## 10W – Coaxial Termination

### Design Features

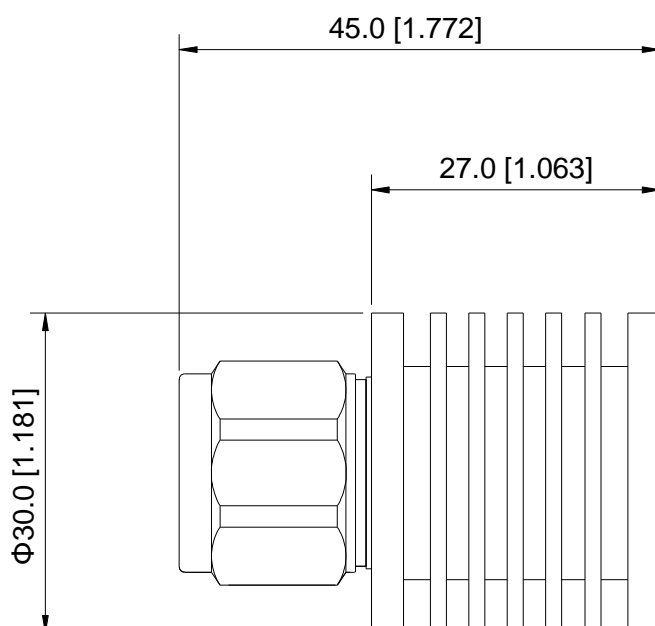
- ◆ High RF performance, ultra-competitive price.
- ◆ Military, space and commercial applications.
- ◆ Custom design available upon request.
- ◆ Guaranteed for one year standard.

### RF Characteristics

Model Number	Freq. Range	Power	VSWR Max	Connector Type	Impedance
UIYCT10AN3	DC-3GHz	10W	1.15	N Male	50 Ω
UIYCT10ANF3	DC-3GHz	10W	1.15	N Female	50 Ω
UIYCT10AN6	DC-6GHz	10W	1.25	N Male	50 Ω
UIYCT10ANF6	DC-6GHz	10W	1.25	N Female	50 Ω

- <sup>2</sup> List are specify frequency range and other ranges available.  
<sup>2</sup> Please enter below information when inquiry and mark \* is must.  
 \* 1. Power handling, Attenuation Value  
 2. Connect type (SMA Male/ Female, N Male/ Female, etc.)  
 3. Other special request if have (VSWR, Temperature, Dimension, etc.)

### Mechanical Drawing



Unit: mm/ inch, General part tolerance is  $\pm 2\%$  unless otherwise stated.

Ver. 5.1

No. 8, Lane 1, Xintun East Zone, Longgang District, Shenzhen 518172, China.

Web: [www.uiy.com](http://www.uiy.com)

Tel: +86-755-83748888 +86-755-25999990

Fax: +86-755-25999959

E-mail: [sales@uiy.com](mailto:sales@uiy.com)