

140 to 300MHz – Coaxial Isolator

Design Features

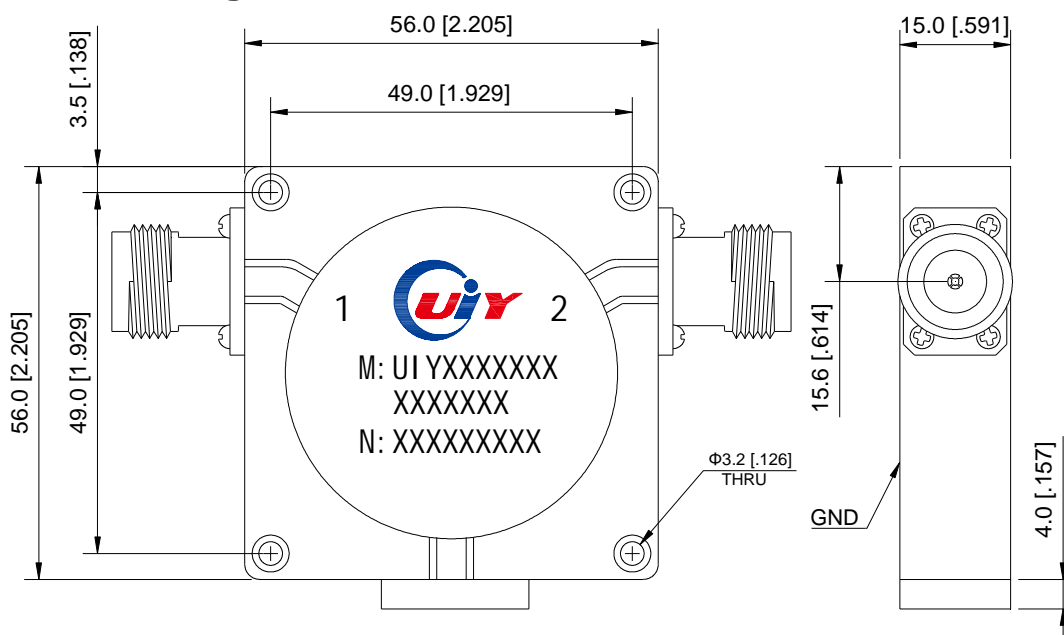
- ◆ Can be dual junction even three for high isolation.
- ◆ Military, space and commercial applications.
- ◆ Guaranteed for one year standard.
- ◆ High RF performance, ultra-competitive price.
- ◆ Custom design available upon request.

RF Characteristics

Model Number	Freq. Range (MHz)	Insertion Loss Max(dB)	Isolation Min(dB)	VSWR Max	Forward Power(W)	Reverse Power(W)	Connector Type	Temp.(°C)
UIYCI5656A140T142SF	140 ~ 142	0.8	18	1.3	100	30	SMA-F	-10 ~ +60
UIYCI5656A147T150NF	147 ~ 150	0.8	18	1.3	300	30	N-F	-10 ~ +60
UIYCI5656A150T155SF	150 ~ 155	0.5	20	1.25	100	30	SMA-F	-10 ~ +70
UIYCI5656A150T170SF	150 ~ 170	0.7	18	1.3	100	30	SMA-F	-10 ~ +70
UIYCI5656A168T171NF	168 ~ 171	0.4	23	1.2	300	30	N-F	-30 ~ +70
UIYCI5656A170T200SF	170 ~ 200	0.7	18	1.3	100	30	SMA-F	-30 ~ +70
UIYCI5656A180T220SF	180 ~ 220	0.6	18	1.3	100	30	SMA-F	-30 ~ +70
UIYCI5656A192T232NF	192 ~ 232	0.4	20	1.25	300	30	N-F	-30 ~ +70
UIYCI5656A1975T2075SMTSF	197.5 ~ 207.5	0.4	23	1.2	100	30	SMA-M to SMA-F	-30 ~ +70
UIYCI5656A200T250SF	200 ~ 250	0.6	20	1.25	100	30	SMA-F	-30 ~ +70
UIYCI5656A230T250NF	230 ~ 250	0.4	23	1.2	300	30	N-F	-30 ~ +70
UIYCI5656A250T300SF	250 ~ 300	0.4	20	1.25	100	30	SMA-F	-30 ~ +70

- ² List are specify frequency range and other ranges available.
² Please enter below information when inquiry and mark * is must.
 * 1. The specific frequency range
 * 2. Power handling (Forward, Reverse, Peak, etc.)
 3. Other special request if have (Insertion Loss, Isolation, VSWR, Temperature, Dimension, etc.)

Mechanical Drawing



Unit: mm/ inch, General part tolerance is ±2% unless otherwise stated.

Ver. 5