

## 4 to 8GHz – 300W Coaxial Isolator

### Design Features

- ◆ Can be dual junction even three for high isolation.
- ◆ Military, space and commercial applications.
- ◆ Guaranteed for one year standard.
- ◆ High RF performance, ultra-competitive price.
- ◆ Custom design available upon request.

### RF Characteristics

Model Number	Freq. Range (GHz)	Insertion Loss Max(dB)	Isolation Min(dB)	VSWR Max	Forward Power(W)	Reverse Power(W)	Connector Type	Temp.(°C)
UIYCI2536A4T45NF	4.0 ~ 4.5	0.4	20	1.25	300	100	N-F	-20 ~ +70
UIYCI2536A45T5NF	4.5 ~ 5.0	0.35	23	1.2	300	100	N-F	-20 ~ +70
UIYCI2536A47T51NF	4.7 ~ 5.1	0.35	23	1.2	300	100	N-F	-20 ~ +70
UIYCI2536A48T59NF	4.8 ~ 5.9	0.5	20	1.25	300	100	N-F	-20 ~ +70
UIYCI2536A5T6NF	5.0 ~ 6.0	0.4	20	1.25	300	100	N-F	-20 ~ +70
UIYCI2536A57T59NF	5.7 ~ 5.9	0.3	23	1.2	300	100	N-F	-20 ~ +70
UIYCI2536A58T65NF	5.8 ~ 6.5	0.3	23	1.2	300	100	N-F	-20 ~ +70
UIYCI2536A65T7NF	6.5 ~ 7.0	0.4	20	1.25	300	100	N-F	-20 ~ +70
UIYCI2536A7T8NF	7.0 ~ 8.0	0.4	20	1.25	300	100	N-F	-20 ~ +70

<sup>2</sup> List are specify frequency range and other ranges available.

<sup>2</sup> Please enter below information when inquiry and mark \* is must.

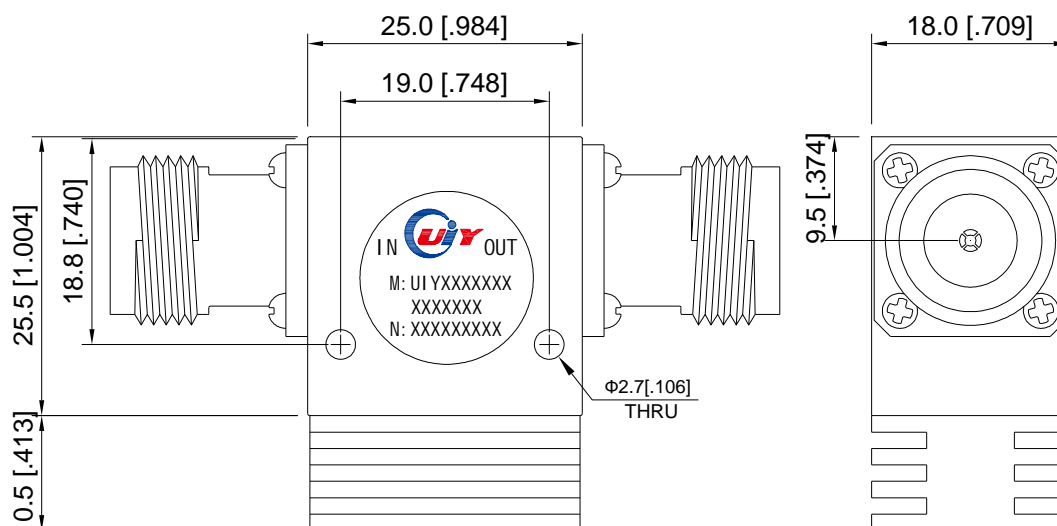
\* 1. The specific frequency range

\* 2. Power handling (Forward, Reverse, Peak, etc.)

\* 3. Connect type (SMA Male/ Female, N Male/ Female, etc.)

\* 4. Other special request if have (Insertion Loss, Isolation, VSWR, Temperature, Dimension, etc.)

### Mechanical Drawing



Unit: mm/ inch, General part tolerance is  $\pm 2\%$  unless otherwise stated.

Ver. 5.0