

180 to 500MHz – Dual Junction Coaxial Isolator

Design Features

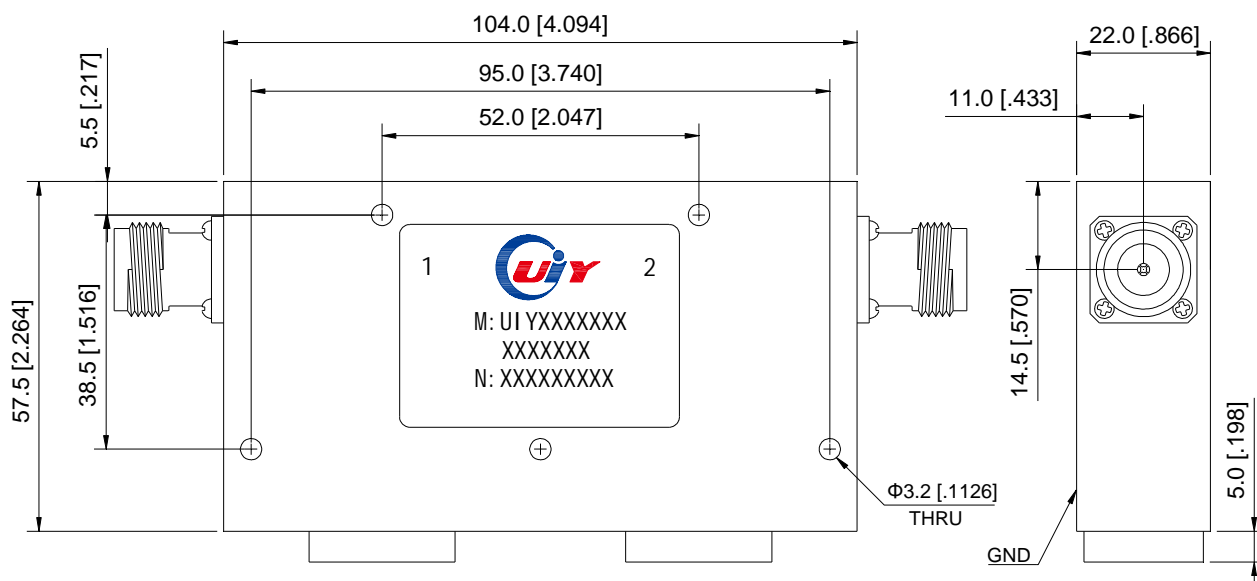
- ◆ Can be dual junction even three for high isolation.
- ◆ Military, space and commercial applications.
- ◆ Guaranteed for one year standard.
- ◆ High RF performance, ultra-competitive price.
- ◆ Custom design available upon request.

RF Characteristics

Model Number	Freq. Range (MHz)	Insertion Loss Max(dB)	Isolation Min(dB)	VSWR Max	Forward Power(W)	Reverse Power(W)	Connector Type	Temp.(°C)
UIYCDI10457A180T200NF	180 ~ 200	1.4	36	1.3	300	30	N-F	-20 ~ +65
UIYCDI10457A1975T2075NF	197.5 ~ 207.5	1.2	40	1.25	300	30	N-F	-20 ~ +65
UIYCDI10457A200T210NFTTAB	200 ~ 210	1.0	40	1.25	300	30	N-F to TAB	-20 ~ +65
UIYCDI10457A210T250SM	210 ~ 250	1.6	36	1.3	300	30	SMA-M	-20 ~ +65
UIYCDI10457A250T280SM	250 ~ 280	1.0	40	1.25	300	30	SMA-M	-20 ~ +65
UIYCDI10457A265T275SF	265 ~ 275	0.8	40	1.2	300	30	SMA-M	-30 ~ +70
UIYCDI10457A360T400NF	360 ~ 400	0.7	50	1.2	300	50	N-F	-30 ~ +70
UIYCDI10457A400T430NF	400 ~ 430	0.6	50	1.2	300	30	N-F	-30 ~ +70
UIYCDI10457A400T470NF	400 ~ 470	0.7	45	1.2	300	30	N-F	-30 ~ +70
UIYCDI10457A430T470NF	430 ~ 470	0.6	50	1.2	300	50	N-F	-30 ~ +70

- ² List are specify frequency range and other ranges available.
² Please enter below information when inquiry and mark * is must.
 * 1. The specific frequency range
 * 2. Power handling (Forward, Reverse, Peak, etc.)
 * 3. Connect type (SMA Male/ Female, N Male/ Female, etc.)
 * 4. Other special request if have (Insertion Loss, Isolation, VSWR, Temperature, Dimension, etc.)

Mechanical Drawing



Unit: mm/ inch, General part tolerance is $\pm 2\%$ unless otherwise stated.

Ver. 5