

## 700 to 2000MHz – Coaxial Circulator

### Design Features

- ◆ Can be dual junction even three for high isolation.
- ◆ Military, space and commercial applications.
- ◆ Guaranteed for one year standard.
- ◆ High RF performance, ultra-competitive price.
- ◆ Custom design available upon request.

### RF Characteristics

Model Number	Freq. Range (MHz)	Insertion Loss Max(dB)	Isolation Min(dB)	VSWR Max	Forward Power(W)	Reverse Power(W)	Connector Type	Temp.(°C)
UIYCC3434A700T900SF	700 ~ 900	0.4	18	1.3	100	100	SMA-F	-30 ~ +70
UIYCC3434A800T1000NF	800 ~ 1000	0.4	20	1.25	100	100	N-F	-30 ~ +70
UIYCC3434A805T870NF	805 ~ 870	0.3	23	1.2	200	200	N-F	-40 ~ +85
UIYCC3434A850T1150SMTSF	850 ~ 1150	0.6	18	1.3	100	100	SMA-M to SMA-F	-30 ~ +70
UIYCC3434A860T960SF	860 ~ 960	0.3	23	1.2	100	100	SMA-F	-30 ~ +70
UIYCC3434A900T1200SF	900 ~ 1200	0.5	20	1.25	100	100	SMA-F	-30 ~ +70
UIYCC3434A900T1300SF	900 ~ 1300	0.6	18	1.3	100	100	SMA-F	-30 ~ +70
UIYCC3434A950T1415SF	950 ~ 1415	0.6	18	1.4	100	100	SMA-F	0 ~ +60
UIYCC3434A950T1450SF	950 ~ 1450	0.6	16	1.4	100	100	SMA-F	0 ~ +60
UIYCC3434A960T1215NF	960 ~ 1215	0.4	20	1.25	200	200	N-F	-30 ~ +70
UIYCC3434A1000T1500SF	1000 ~ 1500	0.6	16	1.4	100	100	SMA-F	0 ~ +60
UIYCC3434A1225T1875SF	1225 ~ 1875	0.6	16	1.4	100	100	SMA-F	0 ~ +60
UIYCC3434A1290T1710SF	1290 ~ 1710	0.5	20	1.25	120	120	SMA-F	-40 ~ +85
UIYCC3434A1300T1740SF	1300 ~ 1740	0.5	20	1.25	100	100	SMA-F	-40 ~ +85
UIYCC3434A1300T1800SF	1300 ~ 1800	0.5	18	1.3	100	100	SMA-F	-40 ~ +85
UIYCC3434A1350T1850SF	1350 ~ 1850	0.5	18	1.3	100	100	SMA-F	-40 ~ +85

<sup>2</sup> List are specify frequency range and other ranges available.

<sup>2</sup> Please enter below information when inquiry and mark \* is must.

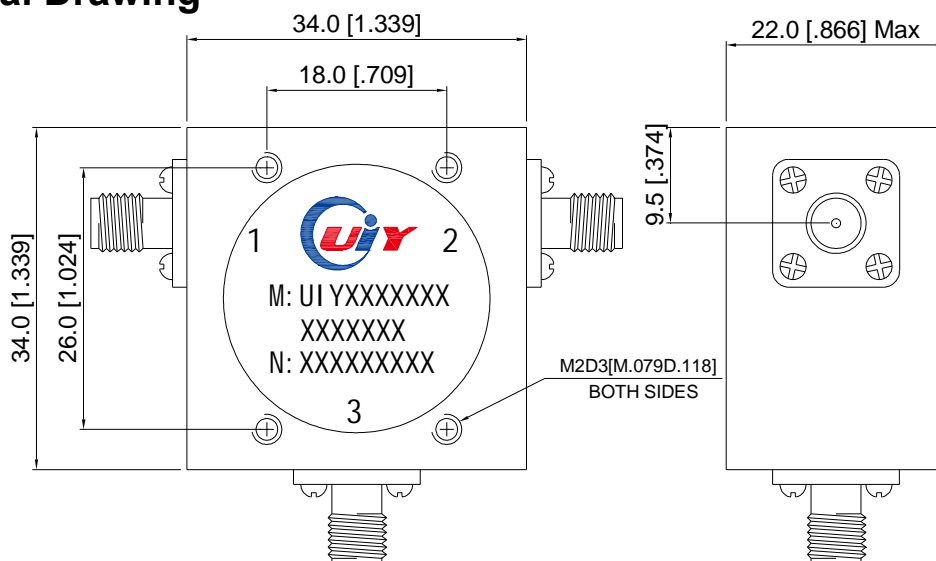
\* 1. The specific frequency range

\* 2. Power handling (Forward, Reverse, Peak, etc.)

\* 3. Connect type (SMA Male/ Female, N Male/ Female, etc.)

4. Other special request if have (Insertion Loss, Isolation, VSWR, Temperature, Dimension, etc.)

### Mechanical Drawing



Unit: mm/ inch, General part tolerance is  $\pm 2\%$  unless otherwise stated.

Ver. 6.1