

100-200MHz 10KW – Coaxial Circulator

Design Features

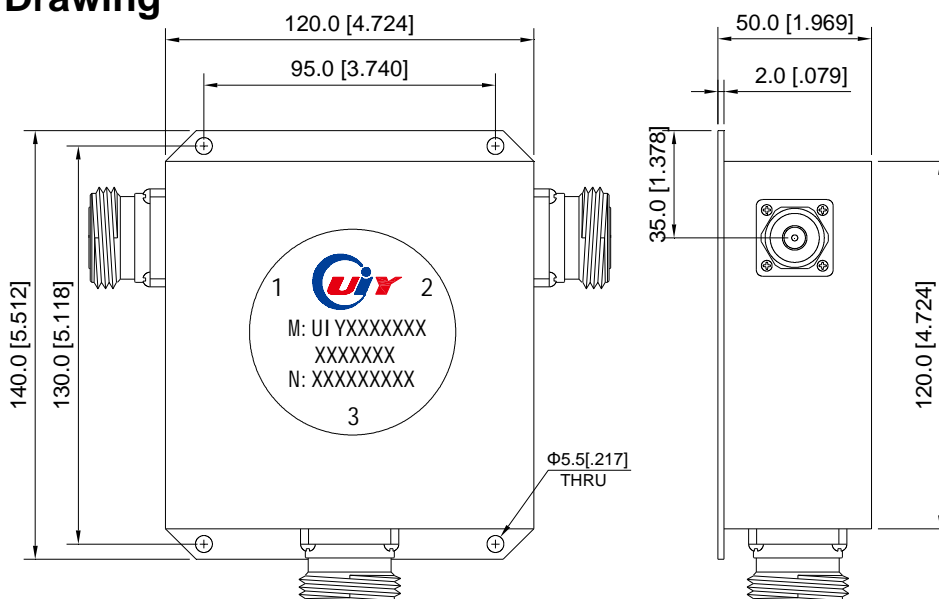
- ◆ Can be dual junction or multiple for high isolation.
- ◆ Military, space and commercial applications.
- ◆ Support one year standard warranty.
- ◆ High RF performance, ultra-competitive price.
- ◆ Custom design available upon request.

RF Characteristics

Model Number	Freq. Range (MHz)	Insertion Loss Max(dB)	Isolation Min(dB)	VSWR Max	Average Power	Peak Power	Connector Type	Temp.(°C)
UIYCC120140A100T102DF	100 ~ 102	0.4	23	1.2	1KW	10KW	7/16-F	0 ~ +85
UIYCC120140A106T108DF	106 ~ 108	0.4	23	1.2	1KW	10KW	7/16-F	0 ~ +85
UIYCC120140A118T121DF	118 ~ 121	0.4	23	1.2	1KW	10KW	7/16-F	0 ~ +85
UIYCC120140A127T129DF	127 ~ 129	0.4	23	1.2	1KW	10KW	7/16-F	0 ~ +85
UIYCC120140A136T138DF	136 ~ 138	0.4	23	1.2	1KW	10KW	7/16-F	0 ~ +85
UIYCC120140A150T153DF	150 ~ 153	0.4	23	1.2	1KW	10KW	7/16-F	0 ~ +85
UIYCC120140A161T163DF	161 ~ 163	0.4	23	1.2	1KW	10KW	7/16-F	0 ~ +85
UIYCC120140A186T190DF	186 ~ 190	0.4	23	1.2	1KW	10KW </td <td>7/16-F</td> <td>0 ~ +85</td>	7/16-F	0 ~ +85

- ² Listed are specific frequency ranges and tailor-made ranges are available.
- ² Please provide the information below when inquiring and mark * is required.
- * 1. The specific frequency ranges
 - * 2. Power handling (Forward, Reverse, Peak, etc.)
 - * 3. Connect type (SMA Male/ Female, N Male/ Female, etc.)
 - 4. Other special request if have (Insertion Loss, Isolation, VSWR, Temperature, Dimension, etc.)

Mechanical Drawing



Unit: mm/ inch, General part tolerance is ±2% unless otherwise stated.

Ver. 5