

5W 18GHz SMA – Coaxial Attenuator

Design Features

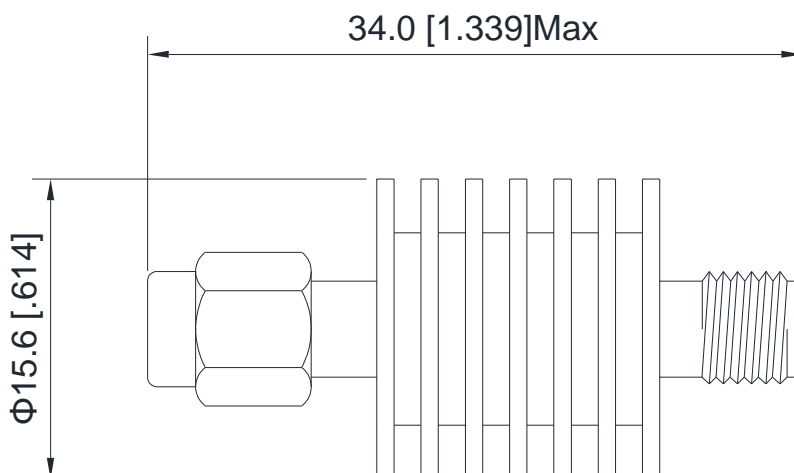
- ◆ High RF performance, ultra-competitive price.
- ◆ Custom design available upon request.
- ◆ Military, space and commercial applications.
- ◆ Support one year standard warranty.

RF Characteristics

Model Number	Freq. Range	Power	Attenuation Value	Attenuation Tolerance	VSWR Max	Connector Type	Impedance
UIYCA5AS8A3	DC-8GHz	5W	3 dB	±0.6 dB	1.2	SMA-M / SMA-F	50 Ω
UIYCA5AS8A6		5W	6 dB	±0.6 dB	1.2	SMA-M / SMA-F	50 Ω
UIYCA5AS8A10		5W	10 dB	±0.6 dB	1.2	SMA-M / SMA-F	50 Ω
UIYCA5AS8A20		5W	20 dB	±1.0 dB	1.2	SMA-M / SMA-F	50 Ω
UIYCA5AS8A30		5W	30 dB	±1.0 dB	1.2	SMA-M / SMA-F	50 Ω
UIYCA5AS124A3	DC-12.4GHz	5W	3 dB	±0.6 dB	1.25	SMA-M / SMA-F	50 Ω
UIYCA5AS124A6		5W	6 dB	±0.6 dB	1.25	SMA-M / SMA-F	50 Ω
UIYCA5AS124A10		5W	10 dB	±0.6 dB	1.25	SMA-M / SMA-F	50 Ω
UIYCA5AS124A20		5W	20 dB	±1.0 dB	1.25	SMA-M / SMA-F	50 Ω
UIYCA5AS124A30		5W	30 dB	±1.0 dB	1.25	SMA-M / SMA-F	50 Ω
UIYCA5AS18A3	DC-18GHz	5W	3 dB	±0.6 dB	1.3	SMA-M / SMA-F	50 Ω
UIYCA5AS18A6		5W	6 dB	±0.6 dB	1.3	SMA-M / SMA-F	50 Ω
UIYCA5AS18A10		5W	10 dB	±0.6 dB	1.3	SMA-M / SMA-F	50 Ω
UIYCA5AS18A20		5W	20 dB	±1.0 dB	1.3	SMA-M / SMA-F	50 Ω
UIYCA5AS18A30		5W	30 dB	±1.0 dB	1.3	SMA-M / SMA-F	50 Ω

- ² Listed are specific frequency ranges and tailor-made ranges are available.
- ² Please provide the information below when inquiring and mark * is required.
- * 1. Power handling, Attenuation Value
 - 2. Connect type (SMA Male/ Female, N Male/ Female, etc.)
 - 3. Other special requests (VSWR, Temperature, Dimension, etc.)

Mechanical Drawing



Unit: mm/ inch, General part tolerance is ±2% unless otherwise stated.

Ver. 5