

5W 6GHz SMA – Coaxial Attenuator

Design Features

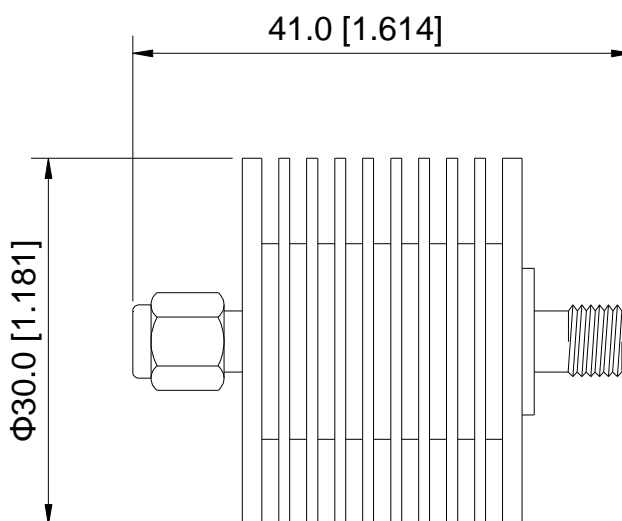
- ◆ High RF performance, ultra-competitive price.
- ◆ Custom design available upon request.
- ◆ Military, space and commercial applications.
- ◆ Guaranteed for one year standard.

RF Characteristics

Model Number	Freq. Range	Power	Attenuation Value	Attenuation Tolerance	VSWR Max	Connector Type	Impedance
UIYCA5AS3A1	DC-3GHz	5W	1 dB	±0.5 dB	1.2	SMA-M / SMA-F	50 Ω
UIYCA5AS3A2		5W	2 dB	±0.5 dB	1.2	SMA-M / SMA-F	50 Ω
UIYCA5AS3A3		5W	3 dB	±0.5 dB	1.2	SMA-M / SMA-F	50 Ω
UIYCA5AS3A5		5W	5 dB	±0.5 dB	1.2	SMA-M / SMA-F	50 Ω
UIYCA5AS3A10		5W	10 dB	±0.6 dB	1.2	SMA-M / SMA-F	50 Ω
UIYCA5AS3A20		5W	20 dB	±0.8 dB	1.2	SMA-M / SMA-F	50 Ω
UIYCA5AS6A30		5W	30 dB	±1.0 dB	1.2	SMA-M / SMA-F	50 Ω
UIYCA5AS6A1	DC-6GHz	5W	1 dB	±0.5 dB	1.3	SMA-M / SMA-F	50 Ω
UIYCA5AS6A2		5W	2 dB	±0.5 dB	1.3	SMA-M / SMA-F	50 Ω
UIYCA5AS6A3		5W	3 dB	±0.5 dB	1.4	SMA-M / SMA-F	50 Ω
UIYCA5AS6A5		5W	5 dB	±0.5 dB	1.3	SMA-M / SMA-F	50 Ω
UIYCA5AS6A10		5W	10 dB	±0.8 dB	1.3	SMA-M / SMA-F	50 Ω
UIYCA5AS6A20		5W	20 dB	±1.0 dB	1.4	SMA-M / SMA-F	50 Ω
UIYCA5AS6A30		5W	30 dB	±1.5 dB	1.3	SMA-M / SMA-F	50 Ω

- 2 List are specify frequency range and other ranges available.
 2 Please enter below information when inquiry and mark * is must.
 * 1. Power handling, Attenuation Value
 2. Connect type (SMA Male/ Female, N Male/ Female, etc.)
 3. Other special request if have (VSWR, Temperature, Dimension, etc.)

Mechanical Drawing



Unit: mm/ inch, General part tolerance is ±2% unless otherwise stated.

Ver. 5

3/F, No 9, Xiangyin Rd, Longgang District, Shenzhen 518116, China.

Web: www.uiy.com

Tel: +86-755-25999990 +86-755-25999909

Fax: +86-755-25999959

E-mail: sales@uiy.com