

50W 18GHz N – Coaxial Attenuator

Design Features

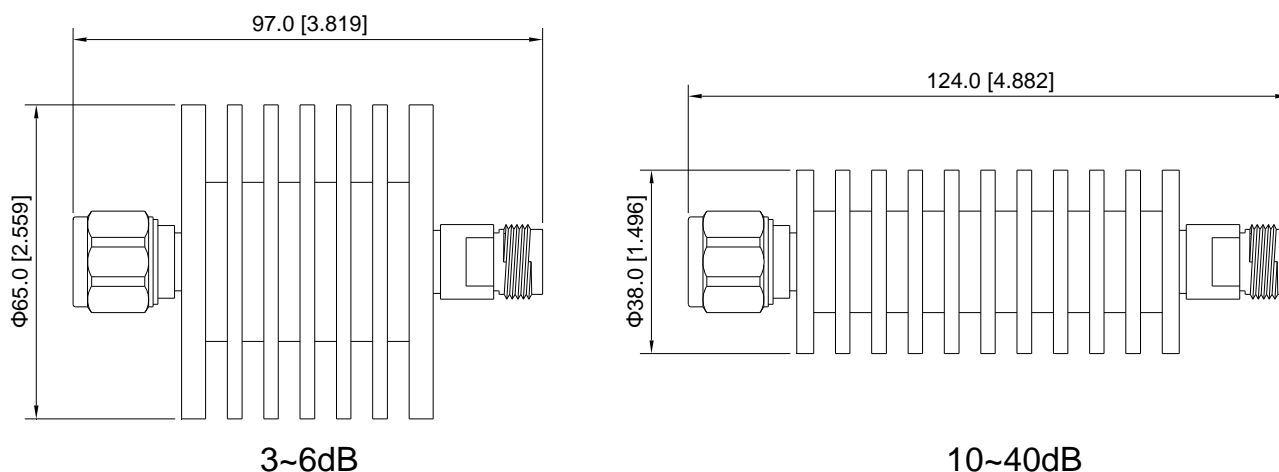
- ◆ High RF performance, ultra-competitive price.
- ◆ Military, space and commercial applications.
- ◆ Custom design available upon request.
- ◆ Support one year standard warranty.

RF Characteristics

Model Number	Freq. Range	Power	Attenuation Value	Attenuation Tolerance	VSWR Max	Connector Type	Impedance
UIYCA50AN8A3	DC-8GHz	50W	3 dB	±1.0 dB	1.3	N-M / N-F	50 Ω
UIYCA50AN8A6		50W	6 dB	±1.0 dB	1.3	N-M / N-F	50 Ω
UIYCA50AN8A10		50W	10 dB	±1.0 dB	1.3	N-M / N-F	50 Ω
UIYCA50AN8A20		50W	20 dB	±1.0 dB	1.3	N-M / N-F	50 Ω
UIYCA50AN8A30		50W	30 dB	±1.2 dB	1.3	N-M / N-F	50 Ω
UIYCA50AN8A40		50W	40 dB	±1.2 dB	1.3	N-M / N-F	50 Ω
UIYCA50AN124A3	DC-12.4GHz	50W	3 dB	±1.2 dB	1.35	N-M / N-F	50 Ω
UIYCA50AN124A6		50W	6 dB	±1.2 dB	1.35	N-M / N-F	50 Ω
UIYCA50AN124A10		50W	10 dB	±1.2 dB	1.35	N-M / N-F	50 Ω
UIYCA50AN124A20		50W	20 dB	±1.2 dB	1.35	N-M / N-F	50 Ω
UIYCA50AN124A30		50W	30 dB	±1.2 dB	1.35	N-M / N-F	50 Ω
UIYCA50AN124A40		50W	40 dB	±1.2 dB	1.35	N-M / N-F	50 Ω
UIYCA50AN18A3	DC-18GHz	50W	3 dB	-1.5dB/+2.5dB	1.35	N-M / N-F	50 Ω
UIYCA50AN18A6		50W	6 dB	-1.5dB/+2.5dB	1.35	N-M / N-F	50 Ω
UIYCA50AN18A10		50W	10 dB	±1.8 dB	1.35	N-M / N-F	50 Ω
UIYCA50AN18A20		50W	20 dB	±1.5 dB	1.35	N-M / N-F	50 Ω
UIYCA50AN18A30		50W	30 dB	±1.2 dB	1.35	N-M / N-F	50 Ω
UIYCA50AN18A40		50W	40 dB	±1.5 dB	1.35	N-M / N-F	50 Ω

- ² Listed are specific frequency ranges and tailor-made ranges are available.
² Please provide the information below when inquiring and mark * is required.
 * 1. Power handling, Attenuation Value
 2. Connect type (SMA Male/ Female, N Male/ Female, etc.)
 3. Other special requests (VSWR, Temperature, Dimension, etc.)

Mechanical Drawing



Unit: mm/ inch, General part tolerance is ±2% unless otherwise stated.

Ver. 5.4