

2W – N DC-8GHz Coaxial Attenuator

Design Features

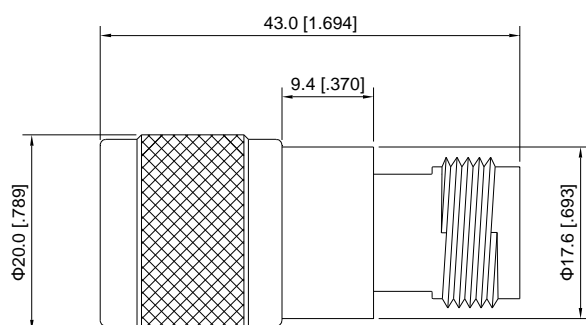
- ◆ High RF performance, ultra-competitive price.
- ◆ Custom design available upon request.
- ◆ Military, space and commercial applications.
- ◆ Guaranteed for one year standard.

RF Characteristics

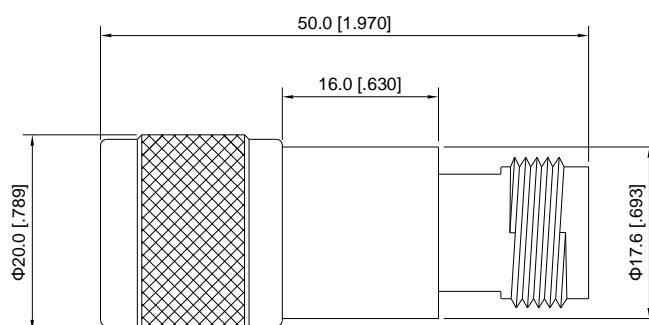
| Model Number | Freq. Range | Power | Attenuation Value | Attenuation Tolerance | VSWR Max | Connector Type | Impedance |
|--------------|-------------|-------|-------------------|-----------------------|----------|----------------|-----------|
| UIYCA2AN8A1 | DC-8GHz | 2W | 1 dB | ±0.5 dB | 1.3 | N-M / N-F | 50 Ω |
| UIYCA2AN8A2 | DC-8GHz | 2W | 2 dB | ±0.5 dB | 1.3 | N-M / N-F | 50 Ω |
| UIYCA2AN8A3 | DC-8GHz | 2W | 3 dB | ±0.5 dB | 1.3 | N-M / N-F | 50 Ω |
| UIYCA2AN8A5 | DC-8GHz | 2W | 5 dB | ±0.5 dB | 1.3 | N-M / N-F | 50 Ω |
| UIYCA2AN8A6 | DC-8GHz | 2W | 6 dB | ±0.5 dB | 1.3 | N-M / N-F | 50 Ω |
| UIYCA2AN8A10 | DC-8GHz | 2W | 10 dB | ±0.5 dB | 1.3 | N-M / N-F | 50 Ω |
| UIYCA2AN8A15 | DC-8GHz | 2W | 15 dB | ±0.5 dB | 1.3 | N-M / N-F | 50 Ω |
| UIYCA2AN8A20 | DC-8GHz | 2W | 20 dB | ±0.5 dB | 1.3 | N-M / N-F | 50 Ω |
| UIYCA2AN8A30 | DC-8GHz | 2W | 30 dB | ±0.8 dB | 1.3 | N-M / N-F | 50 Ω |
| UIYCA2AN8A40 | DC-8GHz | 2W | 40 dB | ±1.5 dB | 1.3 | N-M / N-F | 50 Ω |

- ² List are specify frequency range and other ranges available.
² Please enter below information when inquiry and mark * is must.
 * 1. Power handling, Attenuation Value
 2. Connect type (SMA Male/ Female, N Male/ Female, etc.)
 3. Other special request if have (VSWR, Temperature, Dimension, etc.)

Mechanical Drawing



1~20dB



30~40dB

Unit: mm/ inch, General part tolerance is ±2% unless otherwise stated.

Ver. 5

3/F, No 9, Xiangyin Rd, Longgang District, Shenzhen 518116, China.

Web: www.uiy.com

Tel: +86-755-25999990 +86-755-25999909

Fax: +86-755-25999959

E-mail: sales@uiy.com