

2W – N DC-6GHz Coaxial Attenuator

Design Features

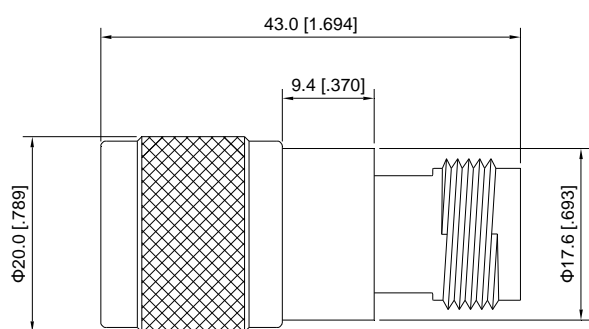
- ◆ High RF performance, ultra-competitive price.
- ◆ Custom design available upon request.
- ◆ Military, space and commercial applications.
- ◆ Guaranteed for one year standard.

RF Characteristics

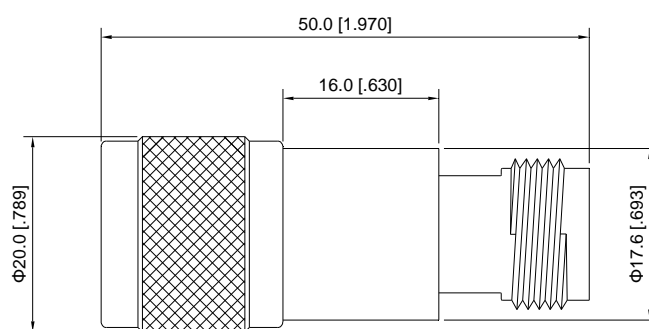
Model Number	Freq. Range	Power	Attenuation Value	Attenuation Tolerance	VSWR Max	Connector Type	Impedance
UIYCA2AN6A1	DC-6GHz	2W	1 dB	±0.5 dB	1.25	N-M / N-F	50 Ω
UIYCA2AN6A2	DC-6GHz	2W	2 dB	±0.5 dB	1.25	N-M / N-F	50 Ω
UIYCA2AN6A3	DC-6GHz	2W	3 dB	±0.5 dB	1.25	N-M / N-F	50 Ω
UIYCA2AN6A5	DC-6GHz	2W	5 dB	±0.5 dB	1.25	N-M / N-F	50 Ω
UIYCA2AN6A6	DC-6GHz	2W	6 dB	±0.5 dB	1.25	N-M / N-F	50 Ω
UIYCA2AN6A10	DC-6GHz	2W	10 dB	±0.5 dB	1.25	N-M / N-F	50 Ω
UIYCA2AN6A15	DC-6GHz	2W	15 dB	±0.5 dB	1.25	N-M / N-F	50 Ω
UIYCA2AN6A20	DC-6GHz	2W	20 dB	±0.5 dB	1.25	N-M / N-F	50 Ω
UIYCA2AN6A30	DC-6GHz	2W	30 dB	±0.8 dB	1.3	N-M / N-F	50 Ω
UIYCA2AN6A40	DC-6GHz	2W	40 dB	±1.5 dB	1.3	N-M / N-F	50 Ω
UIYCA2AN6A50	DC-6GHz	2W	50 dB	±1.5 dB	1.3	N-M / N-F	50 Ω
UIYCA2AN6A60	DC-6GHz	2W	60 dB	±1.8 dB	1.3	N-M / N-F	50 Ω

- ² List are specify frequency range and other ranges available.
² Please enter below information when inquiry and mark * is must.
 * 1. Power handling, Attenuation Value
 2. Connect type (SMA Male/ Female, N Male/ Female, etc.)
 3. Other special request if have (VSWR, Temperature, Dimension, etc.)

Mechanical Drawing



1~40dB



50~60dB

Unit: mm/ inch, General part tolerance is ±2% unless otherwise stated.

Ver. 5

3/F, No 9, Xiangyin Rd, Longgang District, Shenzhen 518116, China.

Web: www.uiy.com

Tel: +86-755-25999990 +86-755-25999909

Fax: +86-755-25999959

E-mail: sales@uiy.com