

2W – N DC-12.4GHz Coaxial Attenuator

Design Features

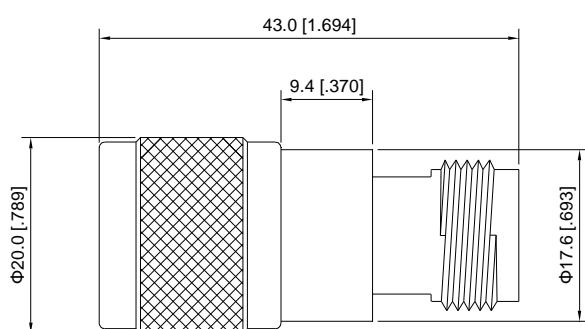
- ◆ High RF performance, ultra-competitive price.
- ◆ Custom design available upon request.
- ◆ Military, space and commercial applications.
- ◆ Guaranteed for one year standard.

RF Characteristics

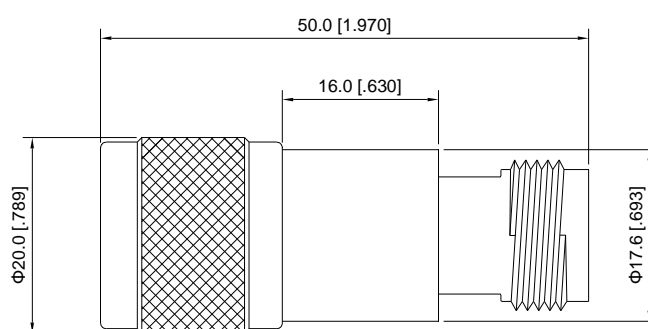
Model Number	Freq. Range	Power	Attenuation Value	Attenuation Tolerance	VSWR Max	Connector Type	Impedance
UIYCA2AN124A5	DC-12.4GHz	2W	5 dB	±0.5 dB	1.3	N-M / N-F	50 Ω
UIYCA2AN124A6	DC-12.4GHz	2W	6 dB	±0.5 dB	1.3	N-M / N-F	50 Ω
UIYCA2AN124A10	DC-12.4GHz	2W	10 dB	±0.5 dB	1.3	N-M / N-F	50 Ω
UIYCA2AN124A15	DC-12.4GHz	2W	15 dB	±0.5 dB	1.3	N-M / N-F	50 Ω
UIYCA2AN124A20	DC-12.4GHz	2W	20 dB	±0.5 dB	1.3	N-M / N-F	50 Ω
UIYCA2AN124A30	DC-12.4GHz	2W	30 dB	±0.8 dB	1.3	N-M / N-F	50 Ω
UIYCA2AN124A40	DC-12.4GHz	2W	40 dB	±1.5 dB	1.3	N-M / N-F	50 Ω

- 2 List are specify frequency range and other ranges available.
 2 Please enter below information when inquiry and mark * is must.
 * 1. Power handling, Attenuation Value
 2. Connect type (SMA Male/ Female, N Male/ Female, etc.)
 3. Other special request if have (VSWR, Temperature, Dimension, etc.)

Mechanical Drawing



1~20dB



30~40dB