

## 25W 18GHz N – Coaxial Attenuator

### Design Features

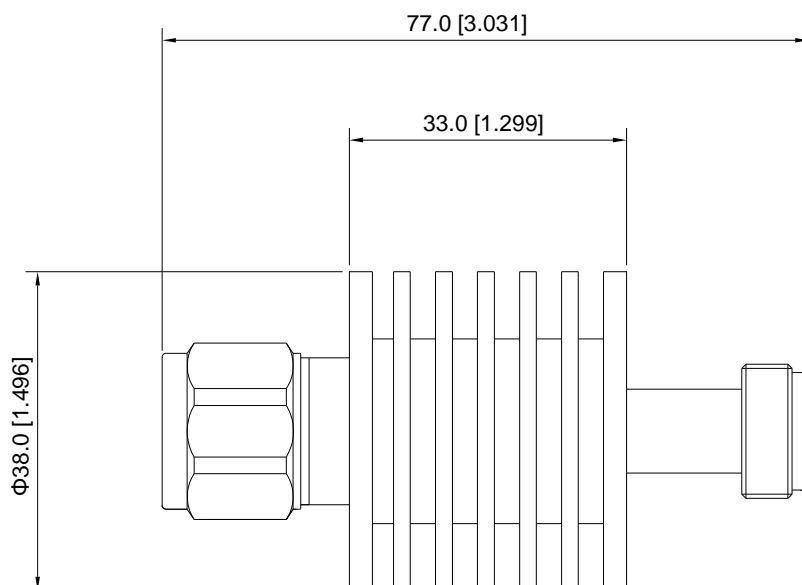
- ◆ High RF performance, ultra-competitive price.
- ◆ Custom design available upon request.
- ◆ Military, space and commercial applications.
- ◆ Guaranteed for one year standard.

### RF Characteristics

| Model Number    | Freq. Range | Power | Attenuation Value | Attenuation Tolerance | VSWR Max | Connector Type | Impedance |
|-----------------|-------------|-------|-------------------|-----------------------|----------|----------------|-----------|
| UIYCA25AN8A10   | DC-8GHz     | 25W   | 10 dB             | ±1.0 dB               | 1.3      | N-M / N-F      | 50 Ω      |
| UIYCA25AN8A20   |             | 25W   | 20 dB             | ±1.0 dB               | 1.3      | N-M / N-F      | 50 Ω      |
| UIYCA25AN8A30   |             | 25W   | 30 dB             | ±1.2 dB               | 1.3      | N-M / N-F      | 50 Ω      |
| UIYCA25AN8A40   |             | 25W   | 40 dB             | ±1.2 dB               | 1.3      | N-M / N-F      | 50 Ω      |
| UIYCA25AN124A10 | DC-12.4GHz  | 25W   | 10 dB             | ±1.0 dB               | 1.4      | N-M / N-F      | 50 Ω      |
| UIYCA25AN124A20 |             | 25W   | 20 dB             | ±1.0 dB               | 1.4      | N-M / N-F      | 50 Ω      |
| UIYCA25AN124A30 |             | 25W   | 30 dB             | ±1.3 dB               | 1.4      | N-M / N-F      | 50 Ω      |
| UIYCA25AN124A40 |             | 25W   | 40 dB             | ±1.3 dB               | 1.4      | N-M / N-F      | 50 Ω      |
| UIYCA25AN18A10  | DC-18GHz    | 25W   | 10 dB             | ±1.0 dB               | 1.4      | N-M / N-F      | 50 Ω      |
| UIYCA25AN18A20  |             | 25W   | 20 dB             | ±1.0 dB               | 1.4      | N-M / N-F      | 50 Ω      |
| UIYCA25AN18A30  |             | 25W   | 30 dB             | ±1.5 dB               | 1.4      | N-M / N-F      | 50 Ω      |
| UIYCA25AN18A40  |             | 25W   | 40 dB             | ±1.5 dB               | 1.4      | N-M / N-F      | 50 Ω      |

- 2 List are specify frequency range and other ranges available.  
 2 Please enter below information when inquiry and mark \* is must.  
 \* 1. Power handling, Attenuation Value  
 2. Connect type (SMA Male/ Female, N Male/ Female, etc.)  
 3. Other special request if have (VSWR, Temperature, Dimension, etc.)

### Mechanical Drawing



Unit: mm/ inch, General part tolerance is ±2% unless otherwise stated.

Ver. 5