

10W 6GHz SMA – Coaxial Attenuator

Design Features

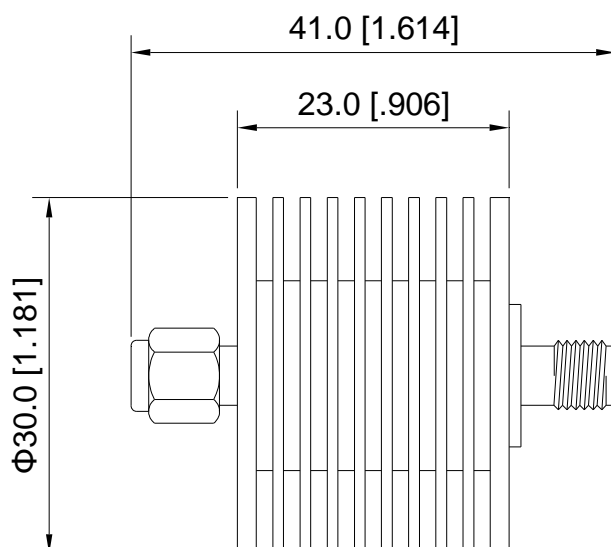
- ◆ High RF performance, ultra-competitive price.
- ◆ Custom design available upon request.
- ◆ Military, space and commercial applications.
- ◆ Support one year standard warranty.

RF Characteristics

Model Number	Freq. Range	Power	Attenuation Value	Attenuation Tolerance	VSWR Max	Connector Type	Impedance
UIYCA10AS3A1	DC-3GHz	10W	1 dB	±0.5 dB	1.2	SMA-M / SMA-F	50 Ω
UIYCA10AS3A2		10W	2 dB	±0.5 dB	1.2	SMA-M / SMA-F	50 Ω
UIYCA10AS3A3		10W	3 dB	±0.5 dB	1.2	SMA-M / SMA-F	50 Ω
UIYCA10AS3A5		10W	5 dB	±0.5 dB	1.2	SMA-M / SMA-F	50 Ω
UIYCA10AS3A6		10W	6 dB	±0.5 dB	1.2	SMA-M / SMA-F	50 Ω
UIYCA10AS3A10		10W	10 dB	±0.5 dB	1.2	SMA-M / SMA-F	50 Ω
UIYCA10AS3A20		10W	20 dB	±0.5 dB	1.2	SMA-M / SMA-F	50 Ω
UIYCA10AS3A30		10W	30 dB	±0.6 dB	1.2	SMA-M / SMA-F	50 Ω
UIYCA10AS6A1		DC-6GHz	10W	1 dB	±0.6 dB	1.3	SMA-M / SMA-F
UIYCA10AS6A2	10W		2 dB	±0.6 dB	1.3	SMA-M / SMA-F	50 Ω
UIYCA10AS6A3	10W		3 dB	±0.6 dB	1.3	SMA-M / SMA-F	50 Ω
UIYCA10AS6A5	10W		5 dB	±0.8 dB	1.3	SMA-M / SMA-F	50 Ω
UIYCA10AS6A6	10W		6 dB	±0.8 dB	1.3	SMA-M / SMA-F	50 Ω
UIYCA10AS6A10	10W		10 dB	±1.0 dB	1.3	SMA-M / SMA-F	50 Ω
UIYCA10AS6A20	10W		20 dB	±1.5 dB	1.3	SMA-M / SMA-F	50 Ω
UIYCA10AS6A30	10W		30 dB	±1.5 dB	1.3	SMA-M / SMA-F	50 Ω

- ² Listed are specific frequency ranges and tailor-made ranges are available.
- ² Please provide the information below when inquiring and mark * is required.
- * 1. Power handling, Attenuation Value
 - 2. Connect type (SMA Male/ Female, N Male/ Female, etc.)
 - 3. Other special requests (VSWR, Temperature, Dimension, etc.)

Mechanical Drawing



Unit: mm/ inch, General part tolerance is ±2% unless otherwise stated.

Ver. 5.1