

# 1000W – Coaxial Attenuator

## Design Features

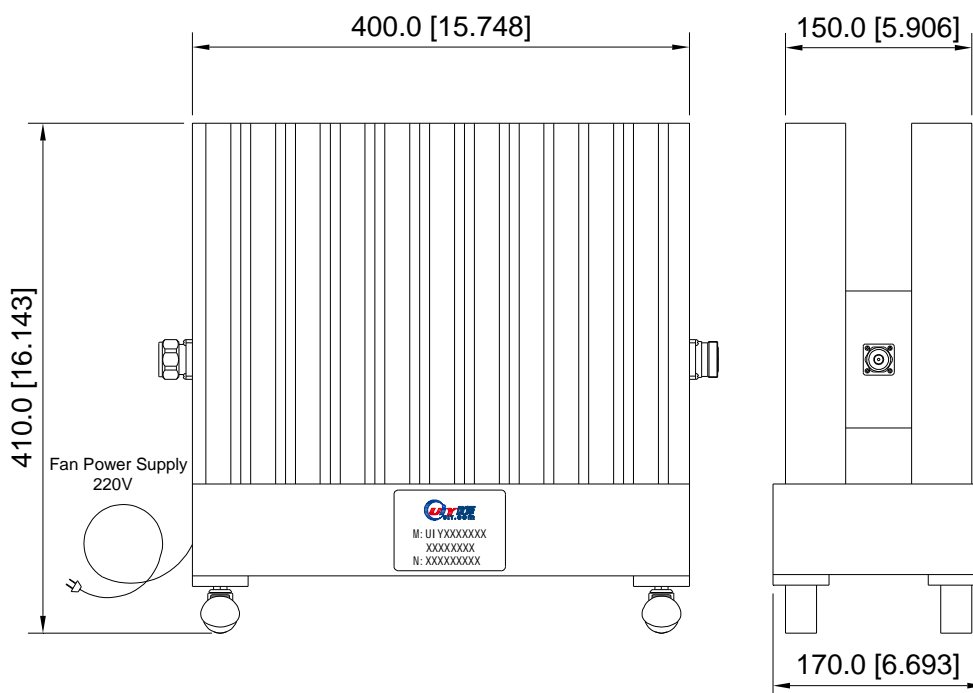
- ◆ High RF performance, ultra-competitive price.
- ◆ Military, space and commercial applications.
- ◆ Custom design available upon request.
- ◆ Support one year standard warranty.

## RF Characteristics

Model Number	Freq. Range	Power	Attenuation Value	Attenuation Tolerance	VSWR Max	Connector Type	Impedance
UIYCA1000B7163A30	DC-3GHz	1000W	30 dB	±2.5 dB	1.45	7/16-M to 7/16-F	50 Ω
UIYCA1000B7163A40	DC-3GHz	1000W	40 dB	±2.5 dB	1.45	7/16-M to 7/16-F	50 Ω
UIYCA1000B7163A50	DC-3GHz	1000W	50 dB	±2.5 dB	1.45	7/16-M to 7/16-F	50 Ω
UIYCA1000BN3A30	DC-3GHz	1000W	30 dB	±2.5 dB	1.45	N-M to N-F	50 Ω
UIYCA1000BN3A40	DC-3GHz	1000W	40 dB	±2.5 dB	1.45	N-M to N-F	50 Ω
UIYCA1000BN3A50	DC-3GHz	1000W	50 dB	±2.5 dB	1.45	N-M to N-F	50 Ω

- 2 Listed are specific frequency ranges and tailor-made ranges are available.  
 2 Please provide the information below when inquiring and mark \* is required.  
 \* 1. Power handling, Attenuation Value  
 2. Connect type (SMA Male/ Female, N Male/ Female, etc.)  
 3. Other special requests (VSWR, Temperature, Dimension, etc.)

## Mechanical Drawing



Unit: mm/ inch, General part tolerance is ±2% unless otherwise stated.

Ver. 5