

616 to 638MHz –Band Stop Filter

Design Features

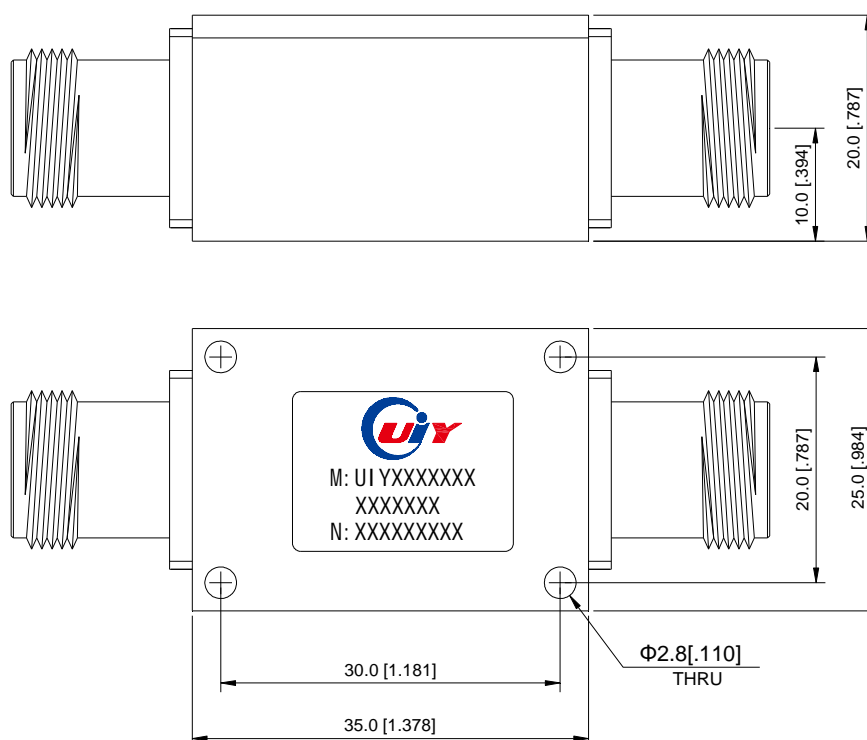
- ◆ High RF performance, ultra-competitive price.
- ◆ Military, space and commercial applications.
- ◆ Custom design available upon request.
- ◆ Support one year standard warranty.

RF Characteristics

Model Number	Band Reject Frequency (MHz)	Pass Band Frequency	Band Reject Rejection Min(dB)	Insertion Loss Max(dB)	VSWR Max	Power (W)	Connector Type	Temp.(°C)
UIYBSF3525A616T638NF	616 ~ 638	50-576MHz 678-800MHz	40	2.5	1.8	5	N-F	-55 ~ +85
UIYBSF3525A616T638SF	616 ~ 638	50-576MHz 678-800MHz	40	2.5	1.8	5	SMA-F	-55 ~ +85

- 2 Listed are specific frequency ranges and other tailor-made ranges are available.
 2 Please provide the below information when inquiring and mark * is required.
 * 1. The specific pass band frequency range.
 * 2. The specific rejection and frequency.
 3. Other special requests (such as Insertion Loss, VSWR, Connector Type, Dimension, etc.).

Mechanical Drawing



Unit: mm/ inch, General part tolerance is $\pm 2\%$ unless otherwise stated.

Ver. 5