

12 to 18GHz – Drop in Circulator

Design Features

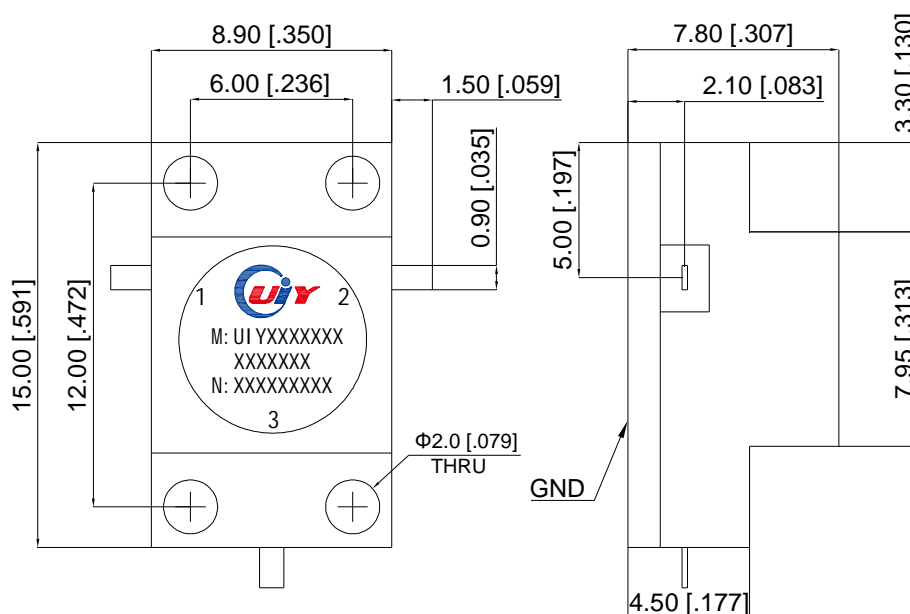
- ◆ Can be in Dual Junction or Multi-Junction for higher isolation.
- ◆ High RF performance, ultra-competitive price.
- ◆ Military, space and commercial applications.
- ◆ Custom design available upon request.
- ◆ Support one year standard warranty.

RF Characteristics

Model Number	Freq. Range (GHz)	Insertion Loss Max(dB)	Isolation Min(dB)	VSWR Max	Forward Power(W)	Reverse Power(W)	Connector Type	Temp.(°C)
UIYBDC815B12T18	12.0 ~ 18.0	0.6	18	1.35	30	30	TAB	-55 ~ +85

- 2 Listed are specific frequency ranges and tailor-made ranges are available.
 2 Please provide the information below when inquiring and mark * is required.
- * 1. The specific frequency ranges
 - * 2. Power handling (Forward, Reverse, Peak, etc.)
 - * 3. Other special requests (Insertion Loss, Isolation, VSWR, Temperature, Dimension etc.)

Mechanical Drawing



Unit: mm/ inch, General part tolerance is $\pm 2\%$ unless otherwise stated.

Ver. 5

No. 8, Lane 1, Xintun East Zone, Longgang District, Shenzhen 518172, China.

Web: www.uiy.com

Tel: +86-755-83748888 +86-755-25999990

Fax: +86-755-25999959

E-mail: sales@uiy.com