

8 to 12GHz – Drop in Circulator

Design Features

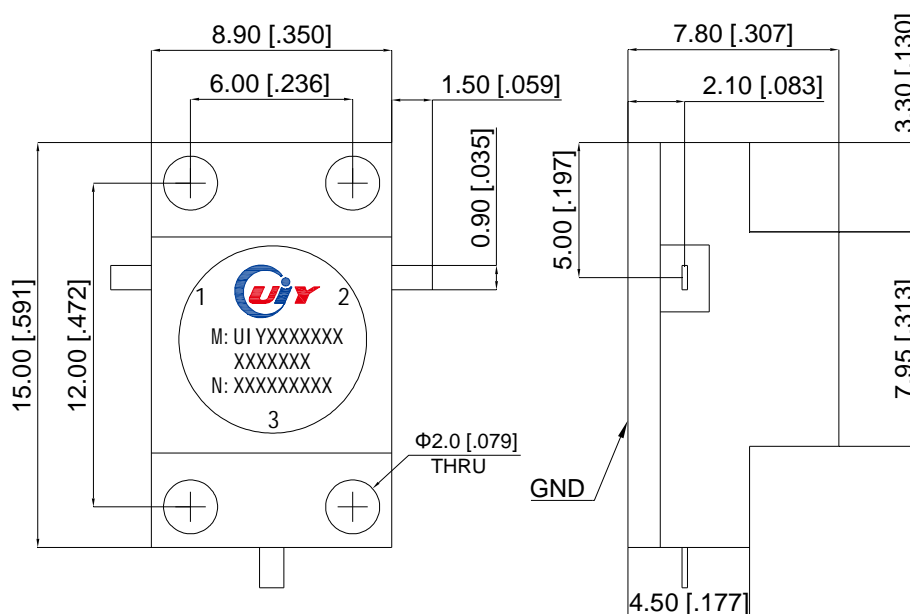
- ◆ Can be in Dual Junction or Multi-Junction for higher isolation.
- ◆ High RF performance, ultra-competitive price.
- ◆ Military, space and commercial applications.
- ◆ Custom design available upon request.
- ◆ Support one year standard warranty.

RF Characteristics

Model Number	Freq. Range (GHz)	Insertion Loss Max(dB)	Isolation Min(dB)	VSWR Max	Forward Power(W)	Reverse Power(W)	Connector Type	Temp.(°C)
UIYBDC815A8T12	8.0 ~ 12.0	0.5	18	1.3	30	30	TAB	-55 ~ +85

- 2 Listed are specific frequency ranges and tailor-made ranges are available.
 2 Please provide the information below when inquiring and mark * is required.
- * 1. The specific frequency ranges
 - * 2. Power handling (Forward, Reverse, Peak, etc.)
 - * 3. Other special requests (Insertion Loss, Isolation, VSWR, Temperature, Dimension etc.)

Mechanical Drawing



Unit: mm/ inch, General part tolerance is $\pm 2\%$ unless otherwise stated.

Ver. 5