

136 to 174MHz – Drop in Circulator

Design Features

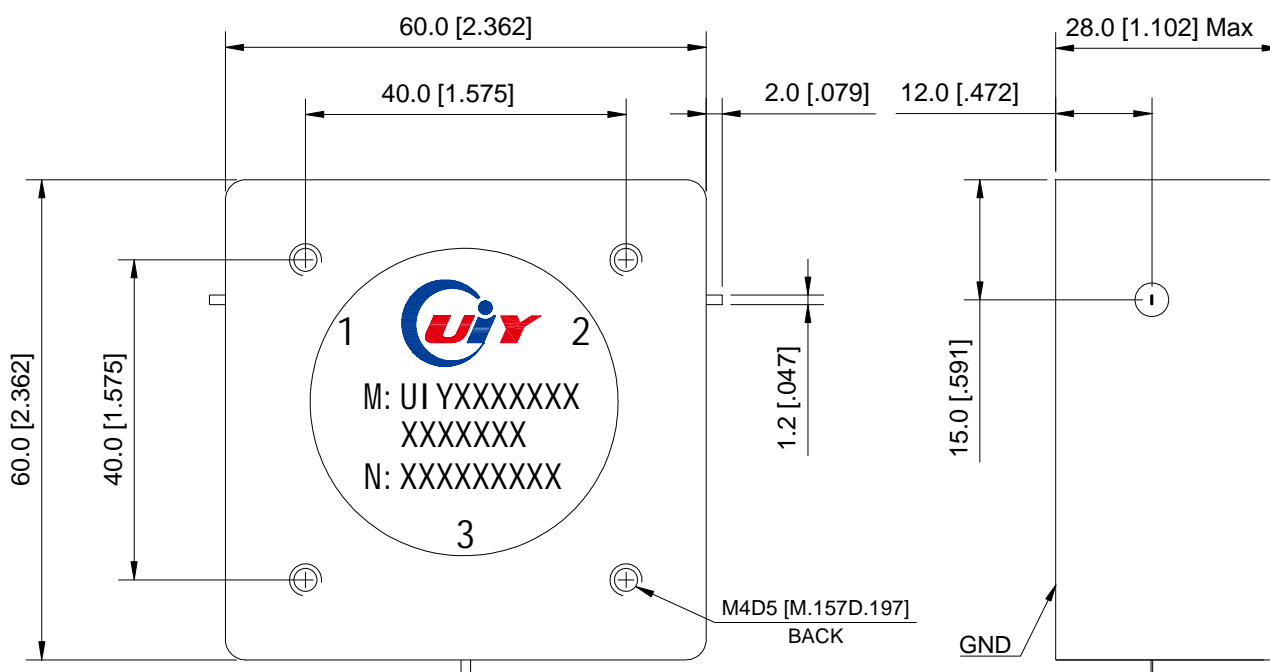
- ◆ Can be dual junction even three for high isolation.
- ◆ High RF performance, ultra-competitive price.
- ◆ Military, space and commercial applications.
- ◆ Custom design available upon request.
- ◆ Guaranteed for one year standard.

RF Characteristics

Model Number	Freq. Range (MHz)	Insertion Loss Max(dB)	Isolation Min(dB)	VSWR Max	Forward Power(W)	Reverse Power(W)	Connector Type	Temp.(°C)
UIYBDC6060D136T174	136 ~ 174	0.65	20	1.25	100	100	TAB	-20 ~ +70

- 2 List are specify frequency range and other ranges available.
 2 Please enter below information when inquiry and mark * is must.
 * 1. The specific frequency range
 * 2. Power handling (Forward, Reverse, Peak, etc.)
 3. Other special request if have (Insertion Loss, Isolation, VSWR, Temperature, Dimension, etc.)

Mechanical Drawing



Unit: mm/ inch, General part tolerance is ±0.2mm unless otherwise stated.

Ver. 5