

380 to 460MHz – Drop in Circulator

Design Features

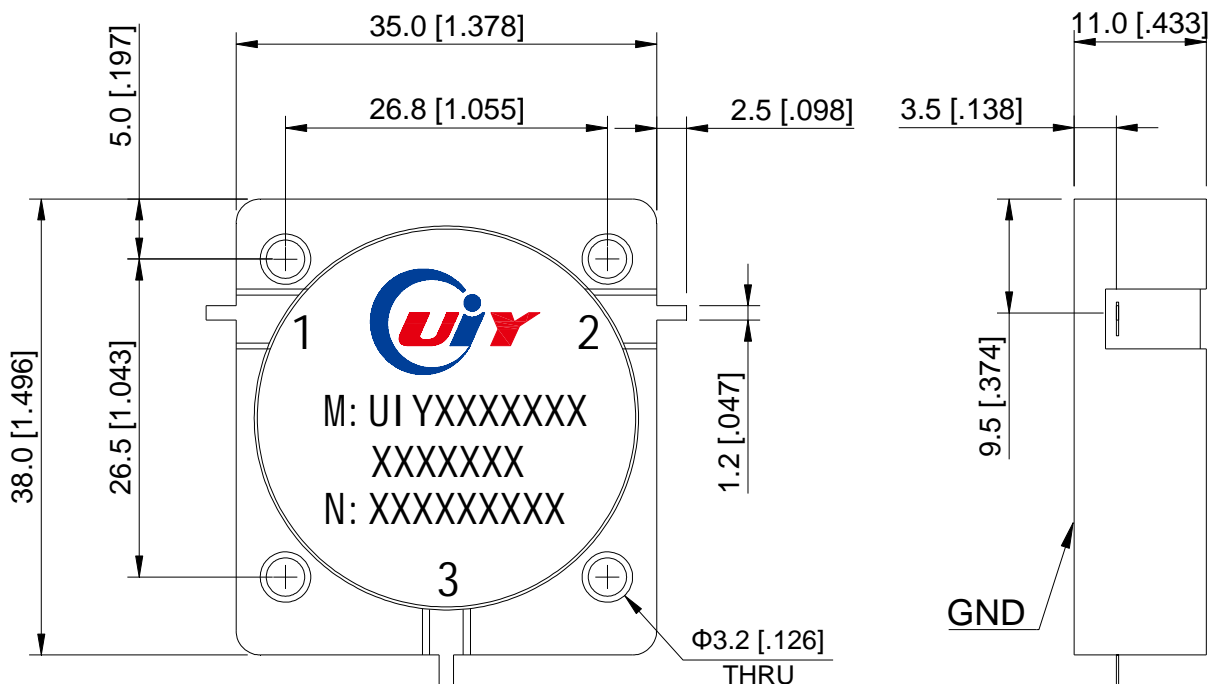
- ◆ Can be in Dual Junction or Multi-Junction for higher isolation.
- ◆ High RF performance, ultra-competitive price.
- ◆ Military, space and commercial applications.
- ◆ Custom design available upon request.
- ◆ Support one year standard warranty.

RF Characteristics

Model Number	Freq. Range (MHz)	Insertion Loss Max(dB)	Isolation Min(dB)	VSWR Max	Forward Power(W)	Reverse Power(W)	Connector Type	Temp.(°C)
UIYBDC3538A380T460	380 ~ 460	0.5	18	1.3	300	300	TAB	-30 ~ +70

- 2 Listed are specific frequency ranges and tailor-made ranges are available.
 2 Please provide the information below when inquiring and mark * is required.
- * 1. The specific frequency ranges
 - * 2. Power handling (Forward, Reverse, Peak, etc.)
 - 3. Other special requests (Insertion Loss, Isolation, VSWR, Temperature, Dimension etc.)

Mechanical Drawing



Unit: mm/ inch, General part tolerance is ±0.2mm unless otherwise stated.

Ver. 5