

2 to 6GHz – Drop in Circulator

Design Features

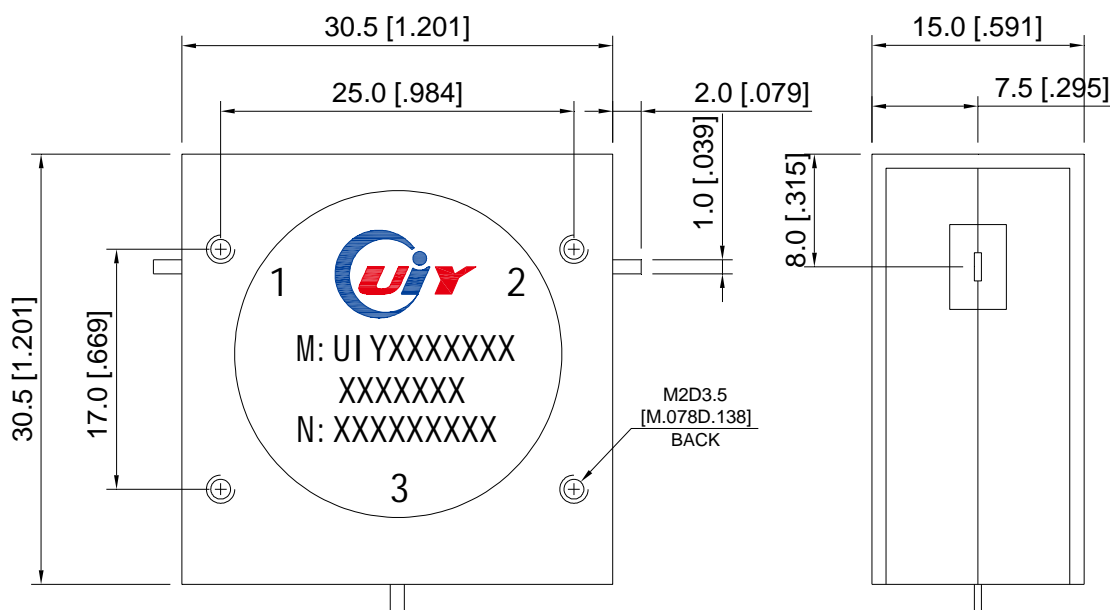
- ◆ Can be in Dual Junction or Multi-Junction for higher isolation.
- ◆ High RF performance, ultra-competitive price.
- ◆ Military, space and commercial applications.
- ◆ Custom design available upon request.
- ◆ Support one year standard warranty.

RF Characteristics

Model Number	Freq. Range (GHz)	Insertion Loss Max(dB)	Isolation Min(dB)	VSWR Max	Forward Power(W)	Reverse Power(W)	Connector Type	Temp.(°C)
UIYBDC3030A2T6	2.0 ~ 6.0	0.8	13	1.5	100	100	TAB	+20 ~ +70
		1.5@2.0~2.5GHz 0.8@2.5~6.0GHz	13	1.5				-40 ~ +20

- 2 Listed are specific frequency ranges and tailor-made ranges are available.
 2 Please provide the information below when inquiring and mark * is required.
 * 1. The specific frequency ranges
 * 2. Power handling (Forward, Reverse, Peak, etc.)
 3. Other special requests (Insertion Loss, Isolation, VSWR, Temperature, Dimension etc.)

Mechanical Drawing



Unit: mm/ inch, General part tolerance is $\pm 2\%$ unless otherwise stated.

Ver. 5.3