

960 to 1215MHz – Drop in Circulator

Design Features

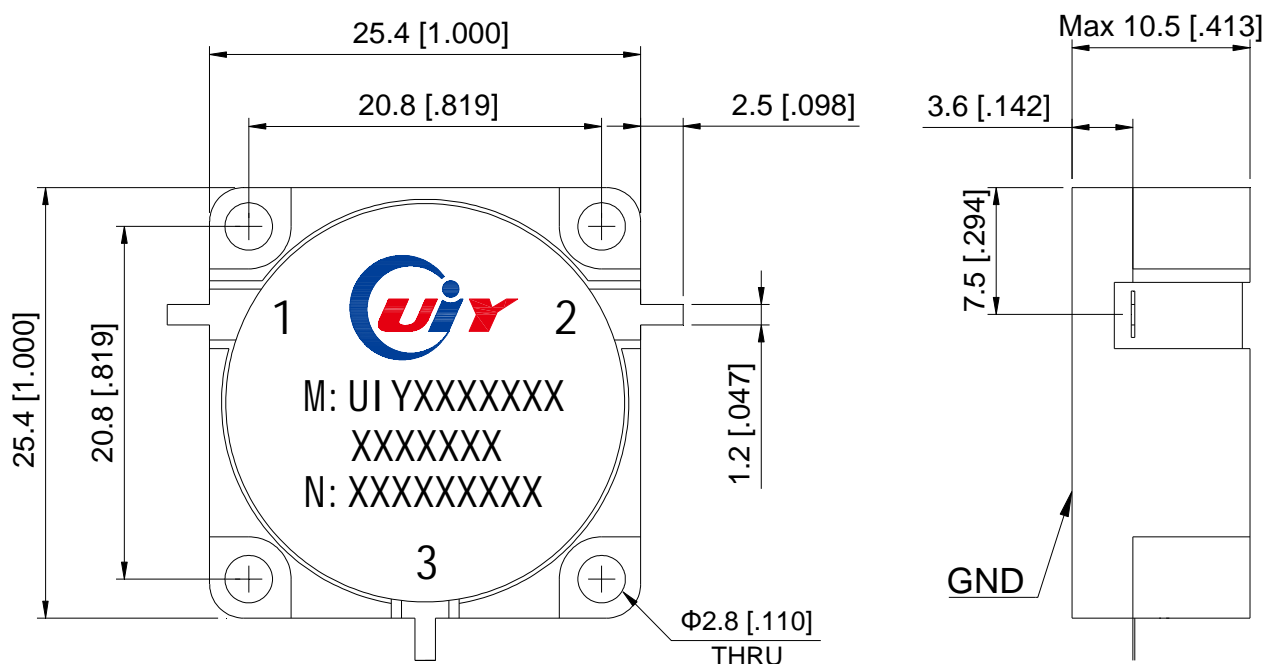
- ◆ Can be dual junction even three for high isolation.
- ◆ High RF performance, ultra-competitive price.
- ◆ Military, space and commercial applications.
- ◆ Custom design available upon request.
- ◆ Guaranteed for one year standard.

RF Characteristics

Model Number	Freq. Range (MHz)	Insertion Loss Max(dB)	Isolation Min(dB)	VSWR Max	Forward Power(W)	Reverse Power(W)	Connector Type	Temp.(°C)
UIYBDC2525B960T1215	960 ~ 1215	0.5	20	1.25	200	200	TAB	-30 ~ +70

- ² List are specify frequency range and other ranges available.
² Please enter below information when inquiry and mark * is must.
- * 1. The specific frequency range
 - * 2. Power handling (Forward, Reverse, Peak, etc.)
 - 3. Other special request if have (Insertion Loss, Isolation, VSWR, Temperature, Dimension, etc.)

Mechanical Drawing



Unit: mm/ inch, General part tolerance is $\pm 0.2\text{mm}$ unless otherwise stated.

Ver. 5