

## 800 to 1000MHz – Drop in Circulator

### Design Features

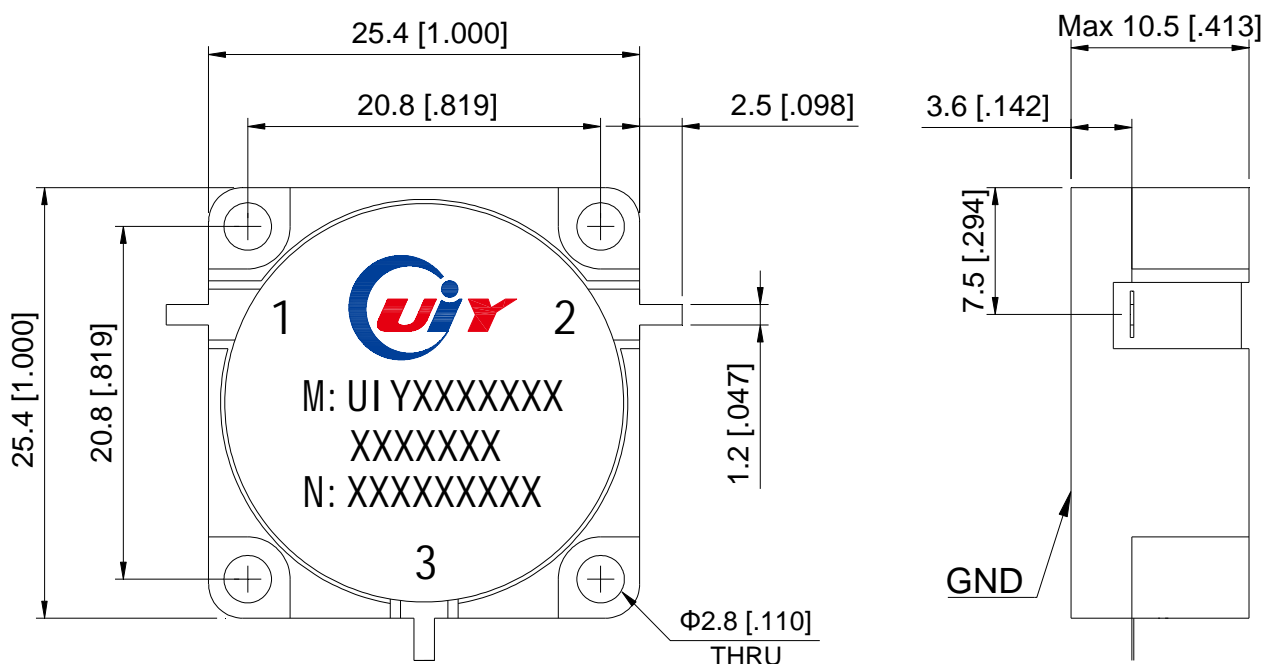
- ◆ Can be in Dual Junction or Multi-Junction for higher isolation.
- ◆ High RF performance, ultra-competitive price.
- ◆ Military, space and commercial applications.
- ◆ Custom design available upon request.
- ◆ Support one year standard warranty.

### RF Characteristics

Model Number	Freq. Range (MHz)	Insertion Loss Max(dB)	Isolation Min(dB)	VSWR Max	Forward Power(W)	Reverse Power(W)	Connector Type	Temp.(°C)
UIYBDC2525A800T1000	800 ~ 1000	0.6	18	1.3	200	200	TAB	-30 ~ +70

- <sup>2</sup> Listed are specific frequency ranges and tailor-made ranges are available.  
<sup>2</sup> Please provide the information below when inquiring and mark \* is required.
- \* 1. The specific frequency ranges
  - \* 2. Power handling (Forward, Reverse, Peak, etc.)
  - \* 3. Other special requests (Insertion Loss, Isolation, VSWR, Temperature, Dimension etc.)

### Mechanical Drawing



Unit: mm/ inch, General part tolerance is  $\pm 0.2$ mm unless otherwise stated.

Ver. 5

No. 8, Lane 1, Xintun East Zone, Longgang District, Shenzhen 518172, China.

Web: [www.uiy.com](http://www.uiy.com)

Tel: +86-755-83748888 +86-755-25999990

Fax: +86-755-25999959

E-mail: [sales@uiy.com](mailto:sales@uiy.com)