

# 1.5 to 3.0GHz – Dual Junction Drop in Circulator

## Design Features

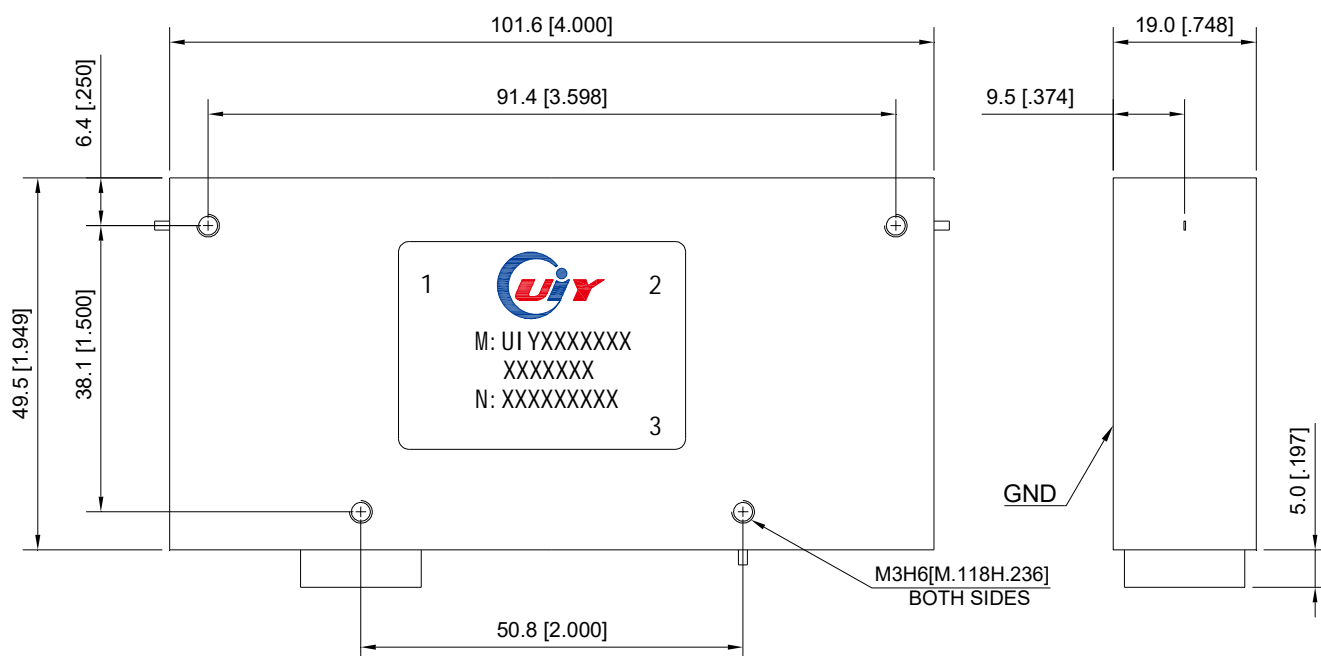
- ◆ Can be dual junction even three for high isolation.
- ◆ High RF performance, ultra-competitive price.
- ◆ Military, space and commercial applications.
- ◆ Custom design available upon request.
- ◆ Guaranteed for one year standard.

## RF Characteristics

| Model Number     | Freq. Range (GHz) | Insertion Loss (1-2) Max(dB) | Isolation (2-1) Min(dB) | VSWR Max | Forward Power(W) | Reverse Power(W) | Connector Type | Temp.(°C) |
|------------------|-------------------|------------------------------|-------------------------|----------|------------------|------------------|----------------|-----------|
| UIYBDC10149B15T3 | 1.5 ~ 3.0         | 1.0                          | 34                      | 1.35     | 200              | 200              | TAB            | 0 ~ +70   |

- <sup>2</sup> List are specify frequency range and other ranges available.  
<sup>2</sup> Please enter below information when inquiry and mark \* is must.
- \* 1. The specific frequency range
  - \* 2. Power handling (Forward, Reverse, Peak, etc.)
  - \* 3. Connect type (SMA Male/ Female, N Male/ Female, etc.)
  - 4. Other special request if have (Insertion Loss, Isolation, VSWR, Temperature, Dimension, etc.)

## Mechanical Drawing



Unit: mm/ inch, General part tolerance is ±2% unless otherwise stated.

Ver. 5