

1.35 to 2.7GHz – Dual Junction Drop in Circulator

Design Features

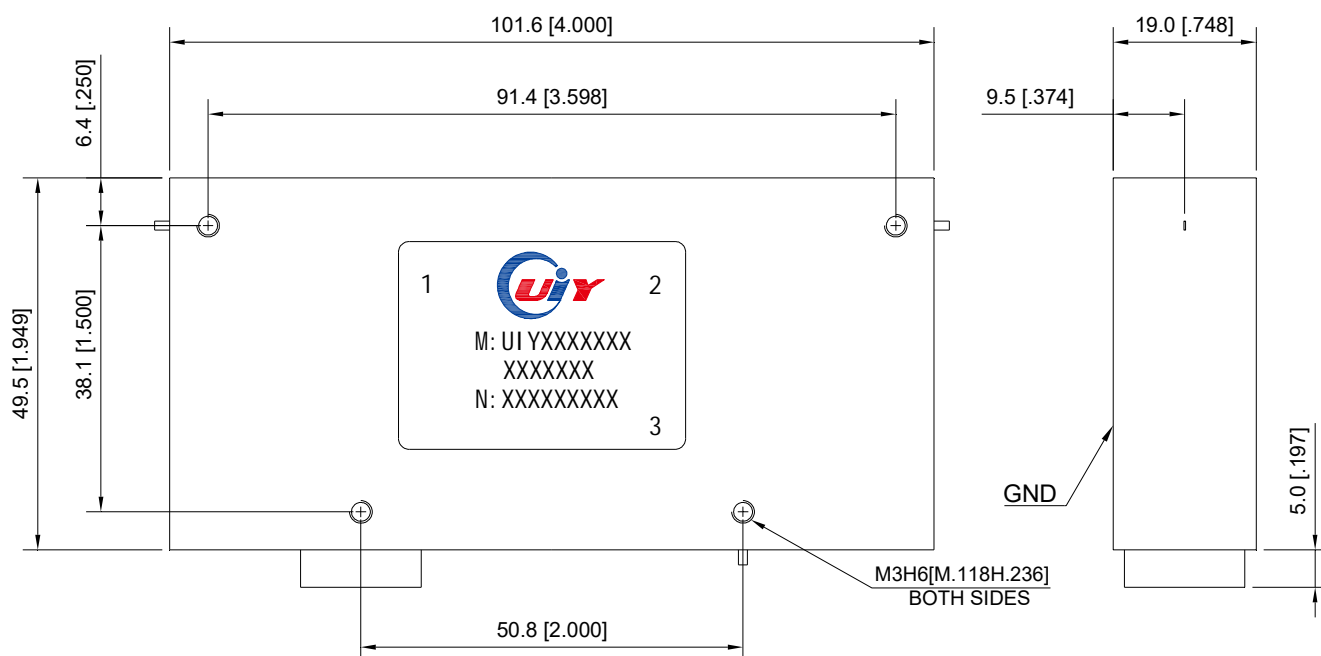
- ◆ Can be dual junction even three for high isolation.
- ◆ High RF performance, ultra-competitive price.
- ◆ Military, space and commercial applications.
- ◆ Custom design available upon request.
- ◆ Guaranteed for one year standard.

RF Characteristics

Model Number	Freq. Range (GHz)	Insertion Loss (1-2) Max(dB)	Isolation (2-1) Min(dB)	VSWR Max	Forward Power(W)	Reverse Power(W)	Connector Type	Temp.(°C)
UIYBDC10149A135T27	1.35 ~ 2.7	1.4	32	1.35	200	200	TAB	0 ~ +70

- ² List are specify frequency range and other ranges available.
² Please enter below information when inquiry and mark * is must.
- * 1. The specific frequency range
 - * 2. Power handling (Forward, Reverse, Peak, etc.)
 - * 3. Connect type (SMA Male/ Female, N Male/ Female, etc.)
 - 4. Other special request if have (Insertion Loss, Isolation, VSWR, Temperature, Dimension, etc.)

Mechanical Drawing



Unit: mm/ inch, General part tolerance is ±2% unless otherwise stated.

Ver. 5