

950 to 1415MHz – Coaxial Circulator

Design Features

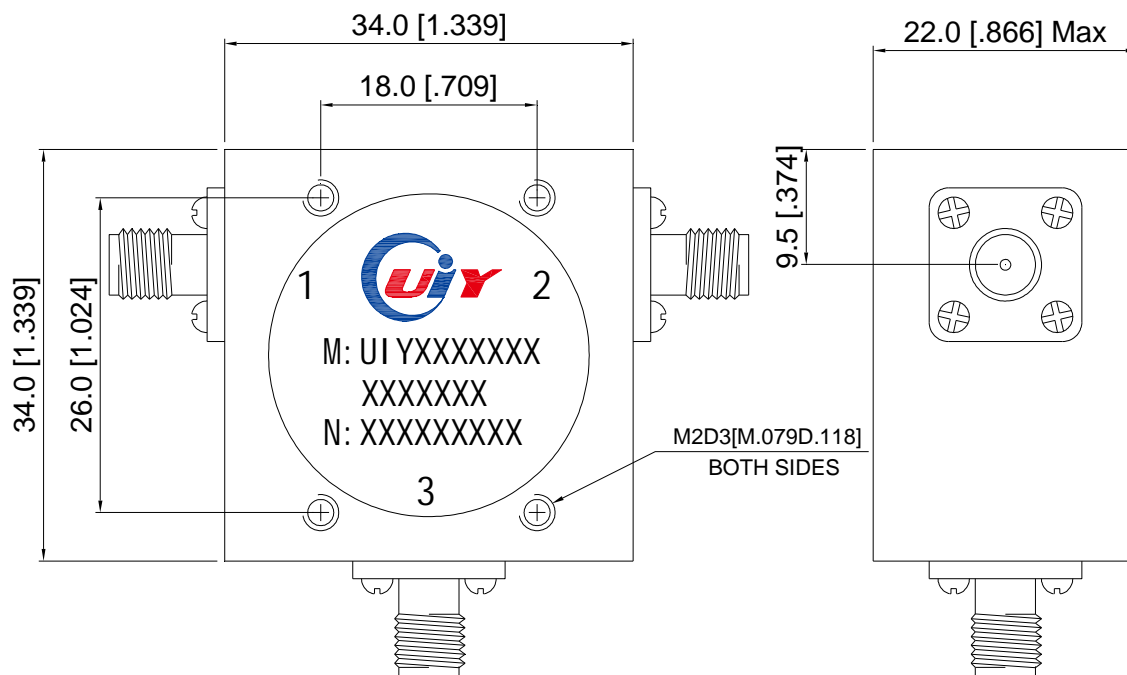
- ◆ Can be dual junction even three for high isolation.
- ◆ High RF performance, ultra-competitive price.
- ◆ Military, space and commercial applications.
- ◆ Custom design available upon request.
- ◆ Guaranteed for one year standard.

RF Characteristics

Model Number	Freq. Range (MHz)	Insertion Loss Max(dB)	Isolation Min(dB)	VSWR Max	Forward Power(W)	Reverse Power(W)	Connector Type	Temp.(°C)
UIYBCC3434D950T1415SF	950 ~ 1415	0.6	18	1.3	100	100	SMA-F	0 ~ +60
UIYBCC3434D950T1415NF	950 ~ 1415	0.6	18	1.3	200	200	N-F	0 ~ +60

- 2 List are specify frequency range and other ranges available.
 2 Please enter below information when inquiry and mark * is must.
 * 1. The specific frequency range
 * 2. Power handling (Forward, Reverse, Peak, etc.)
 * 3. Connect type (SMA Male/ Female, N Male/ Female, etc.)
 4. Other special request if have (Insertion Loss, Isolation, VSWR, Temperature, Dimension, etc.)

Mechanical Drawing



Unit: mm/ inch, General part tolerance is ±2% unless otherwise stated.

Ver. 6.1

3/F, Building A5, Shenbao Power Industrial Park, Shenzhen 518116, China.

Web: www.uiy.com

Tel: +86-755-83748888 +86-755-25999990

Fax: +86-755-25999959

E-mail: sales@uiy.com