

# 8 to 12GHz – 4 Port Dual Junction Coaxial Circulator

## Design Features

- ◆ Can be dual junction or multiple for high isolation.
- ◆ High RF performance, ultra-competitive price.
- ◆ Military, space and commercial applications.
- ◆ Custom design available upon request.
- ◆ Support one year standard warranty.

## RF Characteristics

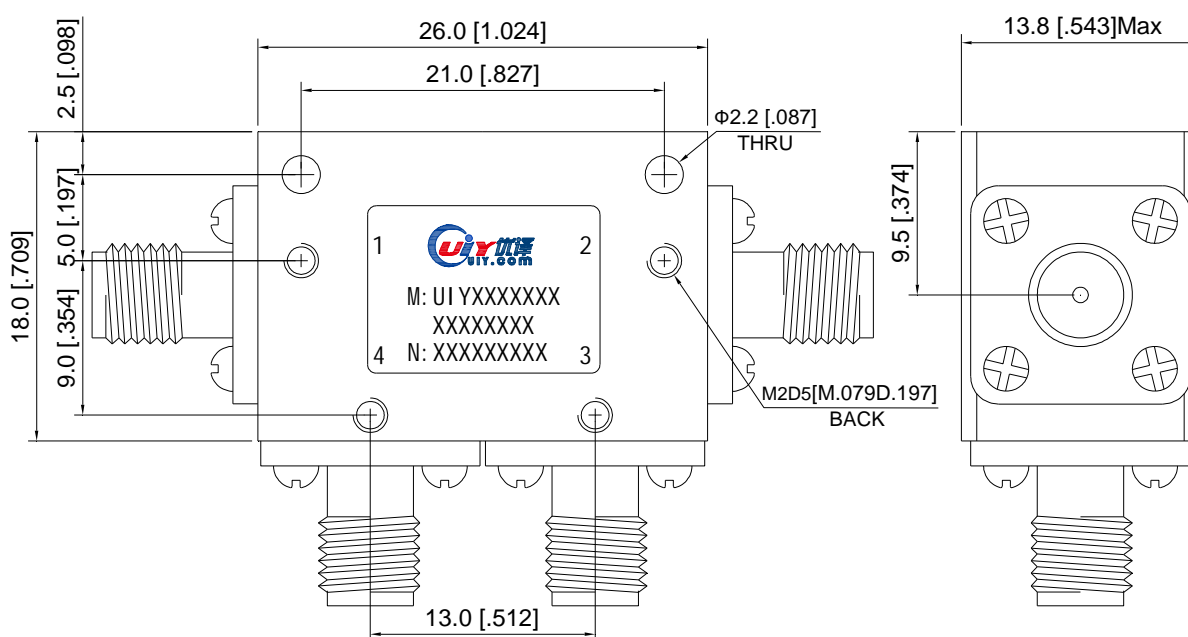
| Model Number                 | Freq. Range (GHz) | Insertion Loss Max(dB) |            | Isolation Min(dB) |            | VSWR Max | Forward Power (W) | Reverse Power (W) | Connector Type                | Temp.(°C) |
|------------------------------|-------------------|------------------------|------------|-------------------|------------|----------|-------------------|-------------------|-------------------------------|-----------|
|                              |                   | 1-2<br>3-4             | 2-3<br>4-1 | 2-1<br>4-3        | 1-4<br>3-2 |          |                   |                   |                               |           |
| UIYBCC2618A4P8T12SF          | 8.0 ~ 12.0        | 1.0                    | 0.5        | 36                | 18         | 1.3      | 60                | 60                | SMA-F                         | -55 ~ +85 |
| UIYBCC2618A4P8T12SMTSFTSFTSF | 8.0 ~ 12.0        | 1.0                    | 0.5        | 36                | 18         | 1.3      | 60                | 60                | SMA-M @Port 1<br>SMA-F @Other | -55 ~ +85 |
| UIYBCC2618A4P8T12SFTSMTSFTSF | 8.0 ~ 12.0        | 1.0                    | 0.5        | 36                | 18         | 1.3      | 60                | 60                | SMA-M @Port 2<br>SMA-F @Other | -55 ~ +85 |

<sup>2</sup> Listed are specific frequency ranges and tailor-made ranges are available.

<sup>2</sup> Please provide the information below when inquiring and mark \* is required.

- \* 1. The specific frequency ranges
- \* 2. Power handling (Forward, Reverse, Peak, etc.)
- \* 3. Connect type (SMA Male/ Female, N Male/ Female, etc.)
- 4. Other special request if have (Insertion Loss, Isolation, VSWR, Temperature, Dimension, etc.)

## Mechanical Drawing



Unit: mm/ inch, General part tolerance is  $\pm 2\%$  unless otherwise stated.

Ver. 5